

AIMB-556

Socket 478 Core™ 2 Duo/Core Solo
Processor-based MicroATX with
DDR2/Dual GbE LAN/4 COM

NEW



Features

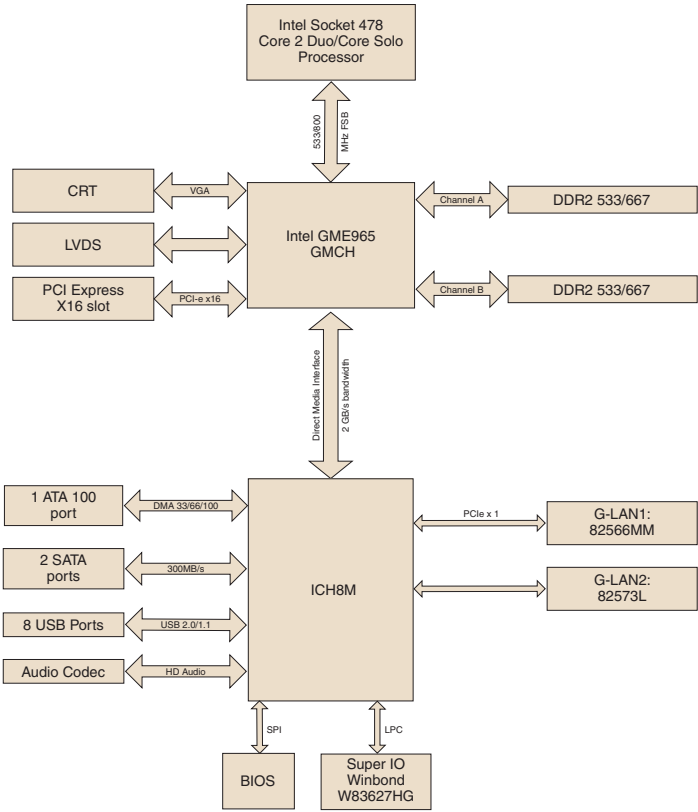
- Intel® GME965 with ICH8M chipset 533/800 MHz FSB
- Supports dual channel DDR2 533/667 SDRAM up to 4 GB
- Supports dual 10/100/1000Base-T Ethernet via dedicated PCIe x1 bus
- Dual display for supporting both VGA and LVDS
- Chipset integrated VGA
- PCI Express x16 interface for VGA
- Supports 4 COM Port and GPIO



Specifications

| | | | |
|--------------------------|-------------------------|--|-------------------|
| Processor System | CPU (65nm) | Intel® Core™ 2 Duo | Intel® Core™ Solo |
| | Max. Speed | 2.6 GHz | 1.5 GHz |
| | L2 Cache | 2 MB/4 MB | 1 MB |
| | Chipset | Intel GME965 + ICH8M | |
| | BIOS | AMI 16 Mbit SPI | |
| | Front Side Bus | 533 / 800 MHz | |
| Expansion Slot | PCIe x16 | 4.0 GB/s per direction, 1 slot | |
| | PCIe x4 | 1.0 GB/s per direction, 1 slot | |
| | PCI | 32-bit/33 MHz, 2 slots | |
| Memory | Technology | Dual channel DDR2 533/667 SDRAM | |
| | Max. Capacity | 4 GB | |
| | Socket | 240-pin DIMM x 2 | |
| Graphic | Embedded | Chipset integrated VGA controller sharing 256 MB system memory | |
| | LVDS | Supports single channel 24-bit dual channel 48-bit | |
| | TV-Out | Supports both S-video and composite video (TV-out function is not supported during POST stage) | |
| | Dual Display | VGA + LVDS | |
| Ethernet | Interface | 10/100/1000 Base-T | |
| | Controller | G-LAN1: Intel 82566MM G-LAN2: Intel 82573L | |
| | Connector | RJ-45 x 2 | |
| SATA | Max. Data Transfer Rate | 300 MB/s | |
| | Channel | 3 | |
| EIDE | Mode | ATA 100/66/33 | |
| | Channel | 1 (Max. two devices) | |
| I/O Interface | VGA | 1 | |
| | LAN | 1 (for VG version); 2 (for G2 vesion) | |
| | USB | 8 (USB 2.0, 480Mbps; 4 external ports and 4 onboard pin headers) | |
| | Audio | 2 (Line-Out and Mic-In) | |
| | Serial | 4 (3 of RS-232, 1 of RS-232/422/485). | |
| | Parallel | 1 (SPP/EPP/ECP) | |
| | FDD | 1 | |
| | GPIO | 8 bit GPIO | |
| Watchdog Timer | Output | System reset | |
| | Interval | Programmable 1 ~ 255 sec. | |
| Power Requirement | Typical | TBD | |
| Environment | | Operating | |
| | Temperature | 0 ~ 60° C (32 ~ 140° F), depends on CPU's speed and cooler solution. | |
| Physical Characteristics | Dimensions (W x D) | 244 mm x 244 mm (9.6" x 9.6") | |

Block Diagram



Ordering Information

| Part Number | Gigabit LAN | VGA |
|------------------|-------------|-----|
| AIMB-556G2-00A1E | Dual | Yes |

*AIMB-556 cannot be installed in ACP-2000MB chassis

Bracket View



AIMB-556G2-00A1E

Riser Card

| Part Number | Description |
|------------------|--|
| AIMB-R430P-03A1E | 2U riser card with 3 PCI slot expansion |
| AIMB-R4301-03A1E | 2U riser card with 3 PCIe x 1 slot expansion |
| AIMB-R4104-01A1E | 1U riser card with 1 PCIe x 4 slot expansion |

Packing List

| Part Number | Description | Quantity |
|-------------|-------------------------------------|----------|
| 1700340640 | FDD cable | x 1 |
| 1701400452 | IDE HDD cable | x 1 |
| 1700003194 | Serial ATA HDD data cable | x 2 |
| 1703150102 | Serial ATA HDD power cable | x 2 |
| 1701090401 | COM port cable kit | x 3 |
| 9689000068 | Jumper pack | x 1 |
| 1960004027 | I/O port bracket | x 1 |
| 2002055610 | Startup manual | x 1 |
| 2066000E10 | Utility CD | x 1 |
| 1750000348 | CPU cooler (for 1U and 2U+ chassis) | x 1 |

Accessories

| Part Number | Description |
|-------------|-----------------------------------|
| 1700002314 | USB cable with four ports, 30.5cm |
| 1700002204 | USB cable with dual ports, 27cm |
| 1700003195 | USB cable with dual ports, 17.5cm |