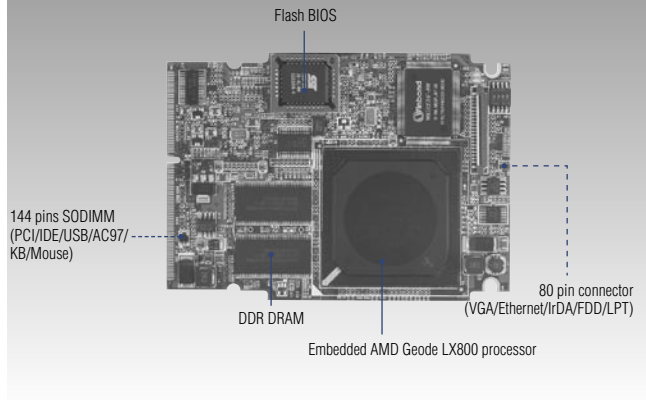


# SOM-2355

## AMD Geode™ LX800 CPU SOM-144 Module with CPU, VGA/LCD, LAN

**NEW**



### Specifications

- **CPU** Embedded AMD Geode LX800-500 MHz processor
- **System Memory** 128 MB DDR DRAM on board
- **Chipset** AMD CS 5536
- **BIOS** AWARD™ 512 KB Flash BIOS
- **Expansion Interface** 144-pin SODIMM socket provides PCI
- **Battery** Lithium 3 V/196 mAH

### I/O

- **MIO** 1 x EIDE (Ultra DMA33), 1 x FDD/LPT, 1 x Keyboard, 1 x Mouse, 2 x RS-232
- **IrDA** 115 kbps, IrDA 1.0 compliant
- **Audio** AC97 2.0 compliant
- **USB** 2 x USB ports, USB 2.0/1.1 compliant

### Ethernet

- **Chipset** Realtek™ RTL8100CL 10/100Mbps Ethernet Chip
- **Ethernet Interface** IEEE 802.3u 100Base-T Fast Ethernet

### Features

- Embedded AMD Geode™ LX800 CPU
- AMD LX800 Integrated Graphic Chip
- Supports 18-bit TTL Panel
- Supports 128 MB DDR Memory
- Supports two USB 2.0 / two COMs / LAN

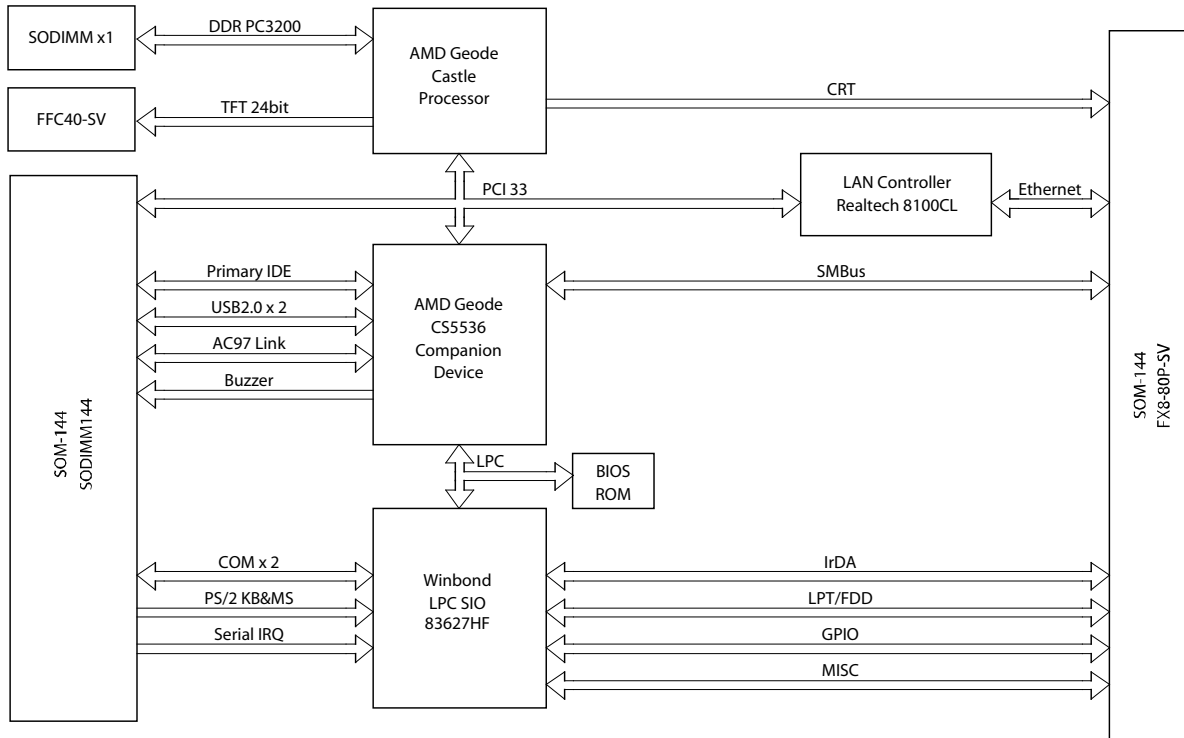
### Display

- **Chipset** AMD Geode LX800
- **Memory Size** 1 ~ 16 MB UMA shared memory
- **Resolution** CRT Mode: 1024 x 768 @ 24 bpp (60 Hz)  
LCD/Simultaneous Mode: 1024 x 768 @ 16 bpp (60 Hz)
- **LCD Interface** 18-bit TFT panels up to XGA resolution  
(for SOM-2354P-JEA1)

### Mechanical and Environmental

- **Dimensions (L x W)** 68 x 100 mm (2.6" x 3.9")
- **Power Supply Voltage** +5V ±5%
- **Power Requirements** Max. : 5 V @ 1.4 A  
Typical : 5 V @ 1 A
- **Operating Temperature** 0 ~ 60° C (32 ~ 140° F), fanless operation
- **Operating Humidity** 0 ~ 90% relative humidity, noncondensing

## Board Diagram



## Ordering Information

### Standard

Part No.	CPU	Memory
SOM-2355F-LEA1E	AMD Geode LX 800 @ 500 MHz	128 MB on Board

### Development Board

Part No.	Description
SOM-DB2300	Development Board for SOM-144