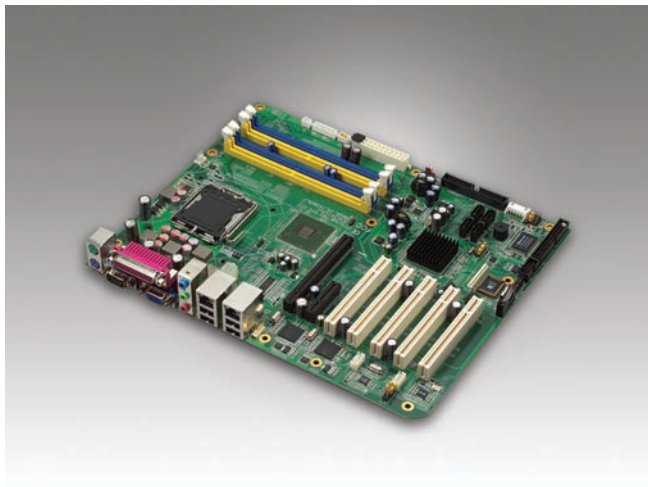


AIMB-762

LGA775 Pentium® D/Pentium 4/Celeron® D Processor-based ATX with DDR2/PCIe/Dual GbE LAN



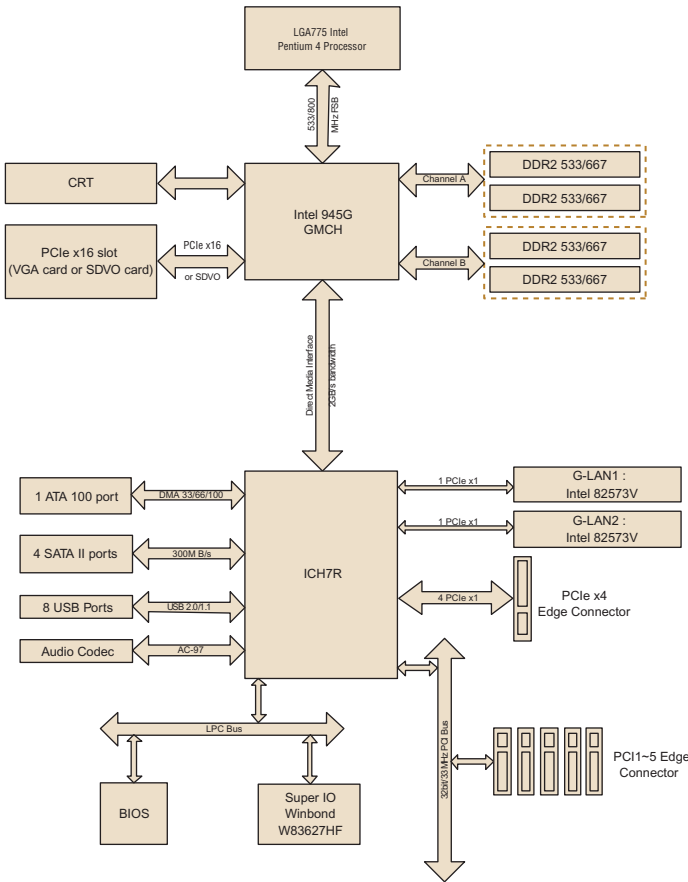
Features

- Intel® 945G chipset 800 MHz FSB
- Dual channel DDR2 533/667 SDRAM up to 4 GB
- Chipset integrated VGA sharing 128 MB system memory
- PCIe x16 slot for VGA card
- Four SATA II ports with 300 MB transfer rate and software RAID 0, 1, 10, 5
- Supports dual 10/100/1000Base-T Ethernet via dedicated PCIe x1 bus
- Compatible with Advantech's 2U, 4U, 5U and 7U Chassis

Specifications

Processor System	CPU (65nm/ 90nm)	Intel® Pentium® D	Intel® Pentium® 4	Intel® Celeron® D
	Max. Speed	3.2 GHz (Dual-core)	3.8 GHz	3.06 GHz
	L2 Cache	1MB x 2	2 MB/1 MB	512KB/256KB
	Chipset	Intel 945G + ICH7R		
	BIOS	Award™ 8 Mbit FWH		
	Front Side Bus	533/800 MHz		
Expansion Slot	PCIe x16	4.0 GB/s per direction, 1 slot		
	PCIe x4	1.0 GB/s per direction, 1 slot		
	PCI	32-bit/33 MHz, 5 slots		
Memory	Technology	Dual channel DDR2 533/667 MHz		
	Max. Capacity	4 GB		
	Socket	240-pin DIMM x 4		
Graphic	Embedded	Chipset integrated VGA controller sharing 224 MB system memory		
	Add-on	PCIe x16 slot		
Ethernet	Interface	10/100/1000 Base-T		
	Controller	G-LAN1: Intel 82573V G-LAN2: Intel 82573V (2 PCIe x1)		
	Connector	RJ45 with LED connector x 2		
SATA II	Max. Data Transfer Rate	300 MB/s		
	Channel	4 (Supporting S/W RAID 0, 1, 10, 5)		
EIDE	Mode	ATA 100/66/33		
	Channel	1 (Max. 2 devices)		
I/O Interface	VGA	1		
	USB	Max. 8 (USB 2.0 compliant), 4 ports on board		
	Audio	2 (Line-Out and Mic-In)		
	Serial	2 (1 of RS-232/422/485 on pin header, 1 of RS-232 on rear I/O)		
	Parallel	1 (SPP/EPP/ECP)		
	FDD	1		
	PS/2	2		
Watchdog Timer	Output	System reset		
	Interval	Programmable 1 ~ 255 sec		
Power Requirement	Typical	Pentium D 3.2 GHz (800 MHz FSB), 4 x 1 GB DDR2 667 SDRAM		
		+5 V	+3.3 V	+12 V
		3.10 A	1.54 A	9.90 A
Environment		Operating		Non-Operating
	Temperature	0 ~ 60° C (32 ~ 140° F), depends on CPU's speed and cooler solution.		-20 ~ 70° C (-40 ~ 158° F)
Physical Characteristics	Dimensions (W x D)	304.8 x 244 mm (12" x 9.6")		

Block Diagram



Ordering Information

Part Number	Embedded VGA	PCIe x16 for VGA	Gigabit LAN
AIMB-762VG-00A1E	Yes	Yes	Single
AIMB-762G2-00A1E	Yes	Yes	Dual

*AIMB-762 cannot be installed in the ACP-2000MB chassis
 We strongly suggest to use only Advantech's certified LGA 775 CPU coolers to ensure board reliability under harsh environments

Bracket View



AIMB-762VG-00A1E



AIMB-762G2-00A1E

Packing List

Part Number	Description	Quantity
1700340640	FDD cable	x 1
1701400452	IDE HDD cable	x 1
1700003194	Serial ATA HDD data cable	x 2
1703150102	Serial ATA HDD power cable	x 2
1701090401	COM port cable kit	x 1
9689000068	Jumper pack	x 1
1962015680	I/O port bracket	x 1
-	Startup manual	x 1
-	Utility CD	x 1

Accessories

Part Number	Description
1750000334	LGA775 CPU cooler up to 3.8 GHz (115 W), 4U, 5U and 7U chassis
1750001661	LGA775 CPU cooler up to 3.8 GHz (115 W), best for 2U and wallmount chassis
1700002314	USB cable with four ports, 30.5cm
1700002204	USB cable with dual ports, 27cm
1700003195	USB cable with dual ports, 17.5cm