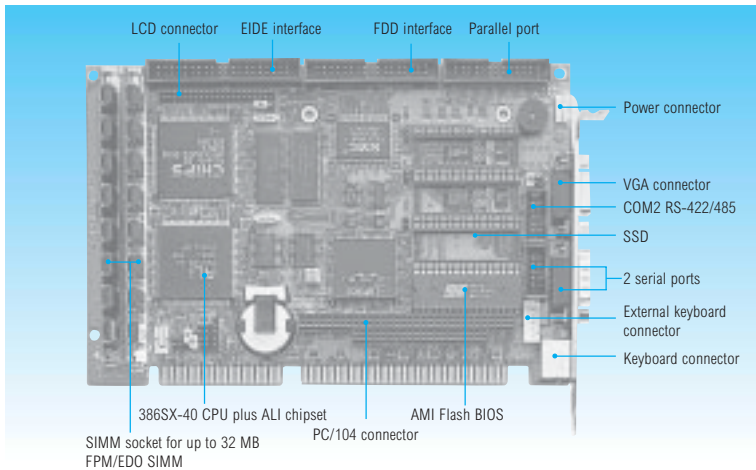


# PCA-6135

ISA 386SX Slot SBC, 40MHz CPU/VGA/LCD/DOC and PC/104



## Features

- On board 40 MHz 386SX CPU
- PC/104 interface
- Supports DiskOnChip® Solution
- 1~62 sec. Watchdog timer
- On board VGA & LCD

## System



CPU	On board 40MHz 80386SX CPU embedded in Ali M6117 chipset
System Memory	FPM/EDO SIMM x 2, Max. 32 MB
System Chipset	Ali M6117
BIOS	AWARD 128KB Flash BIOS
SSD	DiskOnChip® or 3 sockets for 1.4MB SSD, MS-DOS compatible
Watchdog Timer	1 ~ 62 Sec, System reset or IRQ15
Expansion Interface	1x 16-bit ISA slot, 1x PC/104 connector
Battery	Lithium 3V/196mAH

## Packing List

• PCA-6135 SBC	
• Keyboard cable	(p/n:1700612500)
• E-IDE (HDD) Cable (500mm)	(p/n:1701400601)
• FDD Cable (290mm)	(p/n:1701340700)
• COM2 & Parallel port cable kit	(p/n:1701260303)
• Mini jumper	(p/n:1653300100)
• Startup manual	
• Utility CD	

## I/O

MIO	1 x EIDE, 1 x FDD, 1 x K/B, 1 x RS232/422/485, 1 x RS232, 1 x LPT
-----	---

## Display

Chipset	Asilant (C&T) 65545 (PCA-6135-00B2)
Memory Size	1MB
Resolution	CRT: 640 x 480 @ 24 bpp LCD: 640 x 480 @ 24 bpp
LCD interface	Up to 24-bit TTL for Mono/STN/TFT LCD

## Ordering Information

PCA-6135-00B2	ISA 386SX Slot SBC. 40MHz/VGA/LCD/DOC/PC104
PCA-6135L-00B2	ISA 386SX Slot SBC. 40MHz/ DOC/PC104
<b>Optional accessories</b>	
MBPC-641	4-slot IPC chassis w/backplane & 65W power supply
IPC-644-80	4-slot IPC chassis w/backplane& 80W power supply
IPC-6806S	6-slot IPC chassis w/backplane & 100W power supply
PCA-6114-B	14-slot ISA passive backplane
PCA-6108-0B1	8-slot ISA passive backplane
PCA-6106-B	6 slot ISA passive backplane
PCA-6104-0C1	4-slot ISA passive backplane

## Mechanical and Environmental

Dimensions (L x W)	185 x 122 mm (7.3" x 4.8")
Power Supply Voltage	5V±5%
Power Requirements	Max : 5V @2A Typical : 5V @ 1.4A (w/ 16MB RAM)
Operating Temperature	0~60° C (32~140° F), operation
Operating Humidity	0%-90% relative humidity, non-condensing

## Slot CPU Cards and Accessories

Note: All specifications are subject to change without notice.