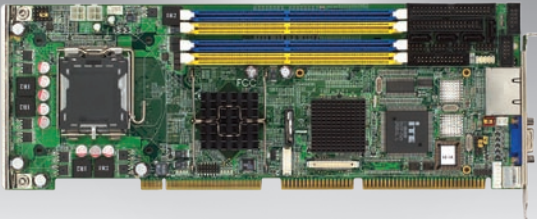


PCA-6190-A2

**LGA775 Pentium® 4/Celeron® D
Processor Card with VGA/Dual
GbE LAN/DVI**



Features

- Intel® 915GV (Grantsdale-GV) chipset 533/800 MHz FSB
- Supports dual channel DDR2 400/533 SDRAM
- Supports up to four Serial ATA devices
- Eight USB 2.0 ports
- Two PCI Express x1 for LAN chip
- Supports DVI interface (PCA-6190G2-D0A2E only)
- 14-pin General Purpose I/O interface as 8-bit programmable Digital I/O or port 80 function
- CMOS automatic backup and restore to prevent accidental data loss of BIOS setup

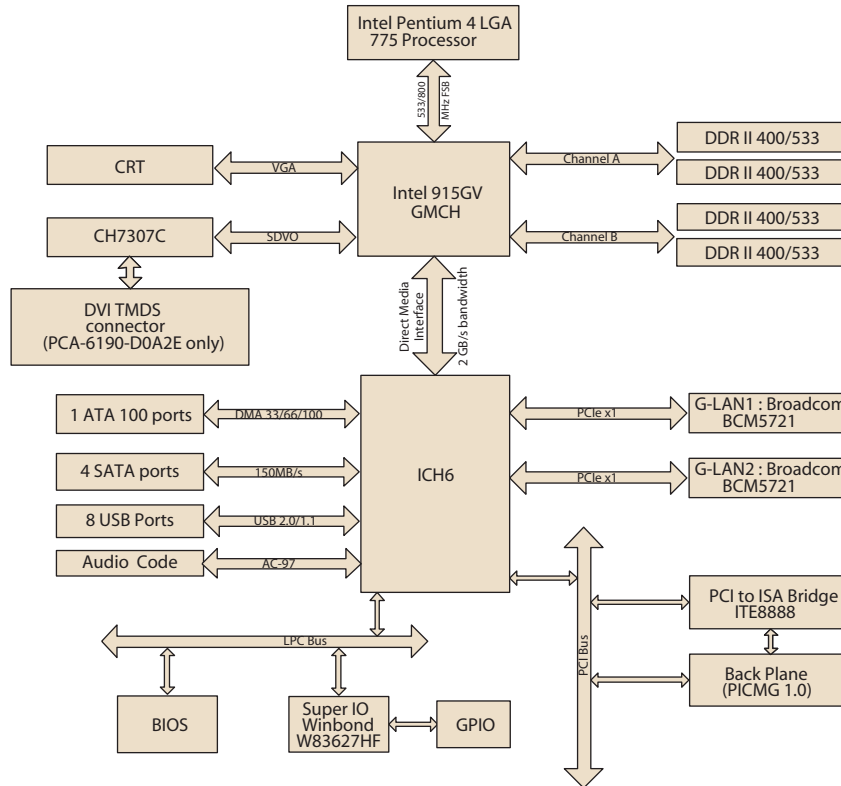


CE FCC

Specifications

Processor System	CPU	Intel Pentium 4	Intel Celeron D
	Max. Speed	3.8 GHz (800 FSB) (90 nm and 65 nm)	3.06 GHz (533 FSB)
	L2 Cache	2 MB/1 MB	256 KB
	Chipset	Intel 915GV + ICH6	
	BIOS	Award 4 Mbit FWH	
Bus	Front Side Bus	533/800 MHz	
	PCI	PCI 32-bit/33 MHz	
Memory	ISA	HISA (ISA high drive)	
	Technology	Dual Channel DDR2 400/533 SDRAM	
	Max. Capacity	4 GB	
Graphics	Socket	240-pin DIMM x 4	
	Controller	Chipset integrated VGA controller	
Ethernet	VRAM	Dynamically shared system memory up to 128 MB	
	Interface	10/100/1000 Base-T	
	Controller	Broadcom BCM 5721	
SATA	Connector	RJ-45 x 2	
	Max. Data Transfer Rate	150 MB/Sec.	
EIDE	Channel	4	
	Mode	ATA 100/66/33	
I/O Interface	Channel	1 (Max 2 devices)	
	USB	Max. 8 (USB 2.0 compliant, 480 Mbps, 8 by internal pin header)	
	Serial	2 (RS-232)	
	Parallel	1 (SPP/EPP/ECP)	
	FDD	1	
Watchdog Timer	PS/2	1	
	Output	Interrupt, system reset	
Miscellaneous	Interval	Programmable, 1 ~ 255 sec.	
	Audio Output	AC97 audio interface (requires an audio extension module P/N: PCA-AUDIO-00A1E)	
Power Requirement	Typical	Pentium 4 3.4 GHz (800 MHz FSB), 2 x 512 MB, 2 x 256 MB DDR2 533 SDRAM	
		+5 V -5 V +12 V -12 V	
Environment		6.64 A 0.01 A 12.59 A 0.01 A	
	Operating		Non-Operating
Physical Characteristics	Temperature	0 ~ 60° C (32 ~ 140° F), depends on CPU's speed	-20 ~ 70° C (-4 ~ 158° F)
	Dimensions (W x D)	338 x 122 mm (13.3" x 4.8")	

Board Diagram



Ordering Information

Part Number	VGA	DVI	Gigabit LAN
PCA-6190VG-00A2E	Yes	-	Single
PCA-6190G2-00A2E	Yes	-	Dual
PCA-6190G2-D0A2E	Yes	Yes	Dual

Bracket View



PCA-6190VG-00A2E



PCA-6190G2-00A2E
PCA-6190G2-D0A2E

Packing List

Part Number	Description	Quantity
1700340640	FDD cable	x 1
1701400452	IDE HDD cable	x 1
1700003194	Serial ATA HDD data cable	x 2
1703150102	Serial ATA HDD power cable	x 2
170304015K	ATX 12 V power converter cable	x 1
1701260305	Printer + COM cable	x 1
1700060202	Y cable for PS/2 mouse & keyboard	x 1
9689000068	Jumper pack	x 1
-	Startup manual	x 1
-	Utility CD	x 1
1700008462	USB cable with 4 ports	x 1
1701092300	Dual COM port cable kit (for G2-00A2E and G2-D0A2E)	x 1
1700007371	USB wire	x 1

Accessories

Part Number	Description
1750000332	CPU cooler for LGA775 Pentium 4 processor up to 3.8 GHz (115 w), for 2U or higher chassis
1750000334	CPU cooler for LGA775 Pentium 4 processor up to 3.8 GHz (115 w), for 4U or higher chassis