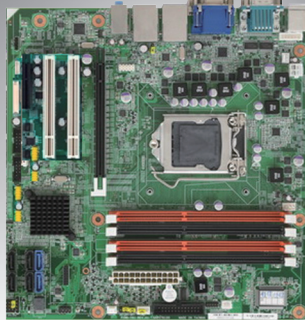


AIMB-581

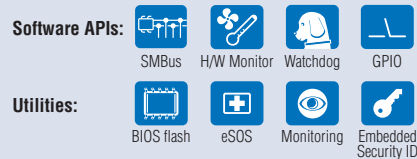
Intel® Core™ i7/i5/i3/Processor LGA1155 MicroATX with VGA/DVI/LVDS, 4 COM, and Dual LAN

NEW



Features

- Supports Intel® Core™ i7/i5/i3 processor with Q67 chipset
- Four DIMM socket supports up to 16 GB DDR3 1066/1333 MHz SDRAM
- Supports dual display of VGA, DVI, LVDS and dual GbE LAN
- Supports Intel vPro, AMT 7.0, PECI 3.0, USB 3.0, Software RAID 0, 1, 5, 10, TPM 1.2 (optional)
- Supports embedded software APIs and utilities

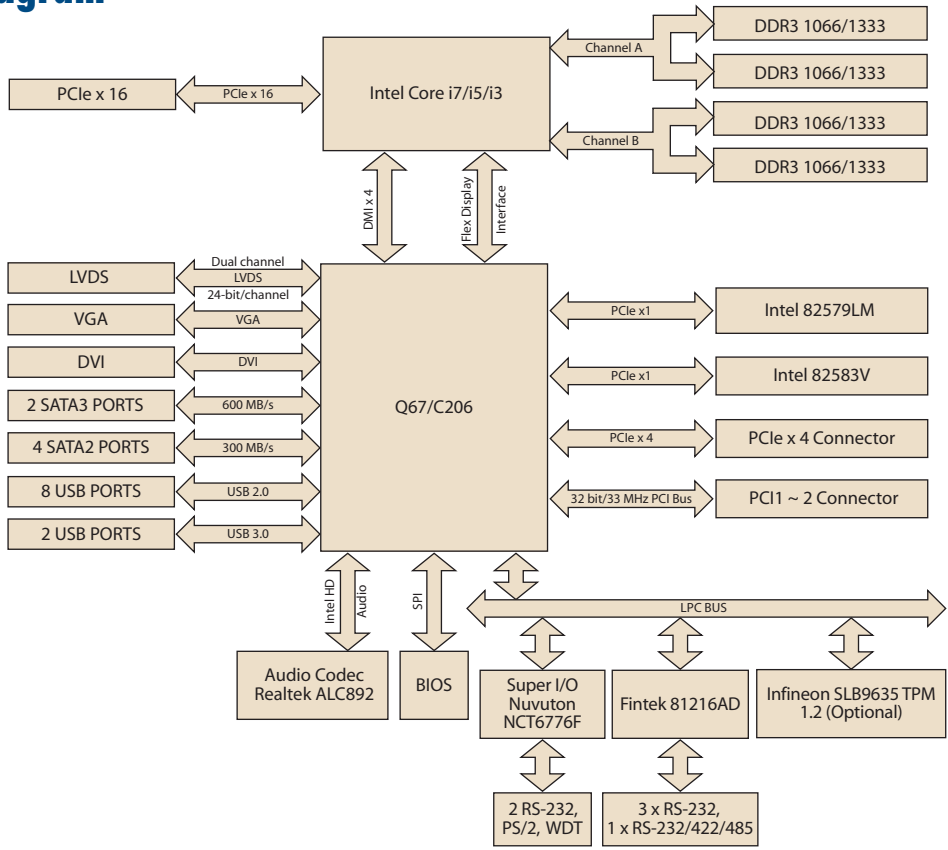


Note: eSOS need ODM BIOS by request

Specifications

Processor System	CPU	Intel® Core™ i7-2600	Intel® Core™ i5-2400	Intel® Core™ i3-2120
	Core number	4	4	2
	Max. speed	3.4 GHz	3.1 GHz	3.3 GHz
	Integrated Graphic	Yes	Yes	Yes
	L3 Cache	8 MB	6 MB	3 MB
	Chipset	Q67/C206		
	BIOS	AMI 64 Mbit SPI		
Expansion Slot	PCI	32-bit/33 MHz, 2 slots		
	PCIe x4 (Gen2)	1.0 GB/s per direction, 1 slot		
	PCIe x16 (Gen2)	8 GB/s per direction, 1 slot		
Memory	Technology	Dual Channel DDR3 1066/1333 MHz SDRAM		
	Max. Capacity	16 GB		
	Socket	4 x 240-pin DIMM		
Graphics	Controller	Intel HD Graphics		
	VRAM	1 GB maximum shared memory with 2 GB and above system memory installed		
	LVDS	Single channel 24-bit/dual channel 48-bit LVDS		
	1st DVI	Yes, supports max. resolution 1920 x 1200		
	2nd DVI	Yes, with internal pin header, supports max. resolution 1920 x 1200		
	Dual Display	CRT+LVDS, CRT+DVI, LVDS+DVI		
Ethernet	Interface	10/100/1000 Mbps		
	Controller	GbE LAN1: Intel 82579LM, GbE LAN2: Intel 82583V		
	Connector	RJ-45 x 2		
SATA	Max Data Transfer Rate	600 MB/s (SATA 3.0)/ 300 MB/s (SATA 2.0)		
	Channel	2/4		
Rear I/O	VGA	1		
	DVI	1		
	Ethernet	2		
	USB	4 (2 USB 2.0, 2 USB 3.0)		
	Audio	2 (Mic-in, Line-out)		
	Serial	2 (RS-232)		
	PS/2	2 (1 x keyboard and 1 x mouse)		
Internal Connector	USB	6 (USB 2.0 compliant)		
	Serial	4 (3 x RS-232, 1 x RS-232/422/485 to support auto flow control)		
	IDE	-		
	SATA	2 x 600 MB/s (SATA 3.0)/4 x 300 MB/s (SATA 2.0)		
	LVDS & Inverter	1		
	Parallel	1		
	IrDA	-		
	DIO	8-bit GPIO		
Watchdog Timer	Output	System reset		
	Interval	Programmable 1 ~ 255 sec/min		
Power Requirements	Power On	5V	3.3V	12V
		3.9A	0.67A	3.84A
Environment	Temperature	Operating		Non-Operating
		0 ~ 60° C (32 ~ 140° F), depends on CPU speed and cooler solution		-20 ~ 70° C (-4 ~ 158° F)
Physical Characteristics	Dimensions	244 mm x 244 mm (9.6" x 9.6")		

Board Diagram



Ordering Information

Part Number	Chipset	Memory	VGA	DVI	LVDS	USB	COM	GbE LAN
AIMB-581QG2-00A1E	Q67	Non-ECC	Yes	Yes	Yes	10	4	2
AIMB-581WG2-00A1E	C206	ECC/Non-ECC	Yes	Yes	Yes	10	4	2

Packing List

Part Number	Description	Quantity
1700340640	FDD cable	1
1700003194	SATA HDD cable	2
1703150102	SATA power cable	2
2002058100	Startup manual	1
2062058100	Driver CD	1

Riser Card

Part Number	Description
AIMB-RP10P-01A1E	1U riser card with 1 PCI expansion
AIMB-RP30P-03A1E	2U riser card with 3 PCI expansion
AIMB-RP3PF-12A1E	2U riser card for 1 PCIe x 16 and 2 PCI expansion
AIMB-RP3P8-12A1E	2U riser card with 2 PCIe x 8 & 1 PCI slots expansion (For WG2 Sku)

Optional Accessories

Part Number	Description
1700002204	Dual port USB cable (27 cm) with bracket
1960047669N001	LGA1156 CPU cooler for 4U and wallmount chassis
1960047831N001	LGA1156 CPU cooler for 2U and wallmount chassis
1960049408N001	LGA1156 CPU cooler for 1U and wallmount chassis

Bracket View



Embedded OS/API

Embedded OS/API	Part No.	Description
Win XPE		
Software API		