

# VTC16874

## 6-slot Desktop/Wallmount Chassis with Open Frame PFC Power Supply



### Features

- Supports 6-slot ISA or ISA/PCI backplane to hold six cards
- Equipped with one 49-CFM cooling fan with air filter
- VTC16877 is especially equipped with a front-mounted 5.25" drive bay reserved for a CD-ROM drive
- Equipped with open frame power supply



### Introduction

Specially designed for factory floor and other harsh industrial environments, this wallmount IPC chassis is ideal for system integrators or users who require a compact, rugged PC/AT compatible system. It features a 6-slot passive backplane and a power supply. The chassis is less than 8" wide and can be easily mounted on panels or walls with the supplied brackets.

### Common Specifications

Cooling	Fan	1 (49 CFM)
	Air Filter	Yes
Miscellaneous	Control	Power On/Off switch and CPU reset button
	Indicator	LEDs for power On/Off and HDD activity
Environment	Temperature	0 ~ 50 °C (32 ~ 122 °F), operating
	Humidity	10 ~ 95 % @ 40 °C, non-condensing



One 49-CFM cooling fan with air filter

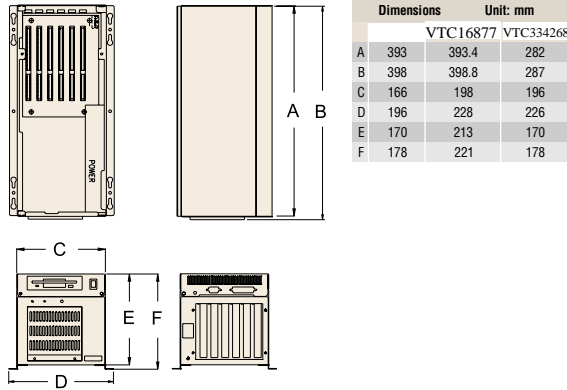
3.5" FDD



One internal 3.5" drive bay

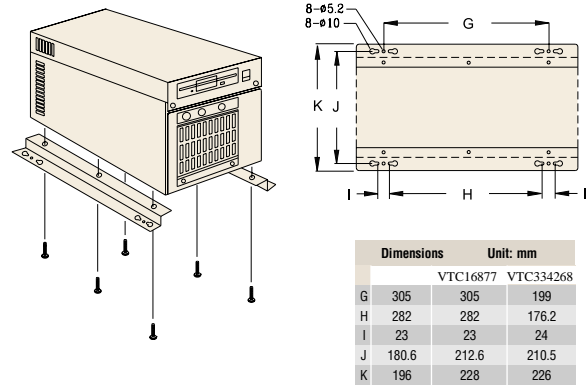
Easy access to internal components

## Dimension Diagram



Unit: mm (inch)

## Installation



Unit: mm (inch)

## Selection Guide

Part Number	VTC16876	VTC16873	VTC16878
<b>Disk Drive Bay</b>	3.5" FDD x 1, 3.5" HDD x 1	3.5" FDD x 1, 3.5" HDD x 1	5.25" CD-ROM x 1, 3.5" FDD x 1, 3.5" HDD x 1
<b>Power Supply</b>	150 W PFC	200 W PFC	200 W PFC
<b>Backplane</b>	VTC16460 (for half-sized card only)	VTC16460, VTC16461	VTC16460, VTC16461
<b>Dimensions (W x H x D)</b>	196 x 170 x 282 mm (7.7" x 6.7" x 11.1")	166 x 170 x 393 mm (6.5" x 6.7" x 15.4")	198 x 213 x 393 mm (7.8" x 8.4" x 15.4")
<b>Weight</b>	4.5 Kg (9.9 lb)	5.6 Kg (12.3 lb)	6 Kg (13.2 lb)

## Power Supply Options

Part Number	Watt	Input	Output	Specifications		Safety	MTBF
				Mini-load			
VTC16566	200 W	AC 90 ~ 264 V (Full-range)	+5 V @ 16 A, +12 V @ 9 A -5 V @ 0.2 A, -12 V @ 0.7 A +3.3 V @ 14 A, +5 Vsb @ 1.5 A	+5 V @ 2 A, +12 V @ 1 A -5 V @ 0.1 A, -12 V @ 0.1 A +3.3 V @ 1 A, +5 Vsb @ 0.1 A		UL/TUV/CB/CCC	50,000 hours
VTC16586 (VTC334268 only)	150 W	AC 90 ~ 264 V (Full-range)	+5 V @ 14 A, +12 V @ 6 A -5 V @ 0.5 A, -12 V @ 0.8 A +3.3 V @ 10 A, +5 Vsb @ 1.5 A	+5 V @ 2 A, +12 V @ 1 A -5 V @ 0.1 A, -12 V @ 0.1 A +3.3 V @ 1 A, +5 Vsb @ 0.1 A		UL/TUV/CB/CCC	50,000 hours

## Passive Backplane Options

Part Number	Slot	Segment
VTC16460	6 ISA	Single
VTC16461	2 ISA, 2 PCI, 1 PICMG/PCI, 1 PICMG	Single
VTC16462	4 PCI, 2 PICMG	Single

## Ordering Information

Part Number	With Power Supply	With Backplane	Regulation
VTC16873	VTC16566	--	UL, cUL, CE
VTC16872	VTC16566	VTC16460	UL, cUL, CE
VTC16874	VTC16566	VTC16461	UL, cUL, CE
VTC16878	VTC16566	--	UL, cUL, CE
VTC16877	VTC16566	VTC16460	UL, cUL, CE
VTC16879	VTC16566	VTC16461	UL, cUL, CE
VTC16876	VTC16586	--	UL, cUL, CE
VTC16875	VTC16586	VTC16460	UL, cUL, CE