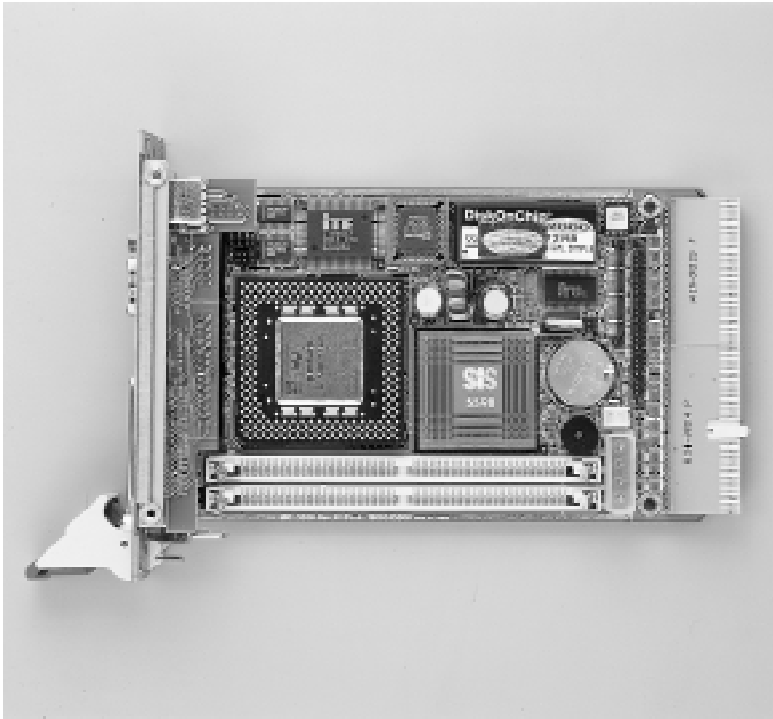


# MIC-3350

3U CompactPCI Pentium® MMX  
SBC with VGA



## Features

- ◆ Supports almost all socket 7 processors
- ◆ 2 SIMM sockets support up to 64 MB EDO DRAM
- ◆ Onboard high-performance VGA supports resolution up to 1600 x 1200
- ◆ Drives seven PCI peripherals with maximum four bus masters
- ◆ Supports Ultra DMA/33 high-speed IDE device
- ◆ 2-slot compact width (8TE). 3-slot width (12TE) with bracket for onboard HDDs and FDDs

## Introduction

The MIC-3350 is a 3U CompactPCI single board computer compliant with PICMG CompactPCI Specification 2.0. It offers all the functions of an industrial computer on a single board with the rugged Eurocard form factor. The MIC-3350 accepts a variety of CPUs and standard EDO DRAM, providing users with a cost-effective and flexible system.

### Compact Modular Design

The MIC-3350 crams all the functions of a computer into a 3U high, 2-slot wide single board. A 1-slot wide mounting bracket can be added onto the MIC-3350 for mounting one 2.5" HDD and one slim-type FDD. Although compact in size, the MIC-3350 accepts standard SIMM memory modules instead of expensive proprietary or special memory modules.

### Complete SBC Functions

The MIC-3350 offers all the functions of an industrial computer, including onboard high-performance VGA, two serial ports, two USB ports, one parallel port, and one PS/2 keyboard/mouse connector. The front panel contains all the I/O connectors, the reset button, and the power status LED.

The built-in high-speed PCI IDE controller provides one IDE channel with PIO Mode 4 and Ultra DMA/33 mode. Users can connect one 2.5" HDD and one slim-type FDD through the onboard connectors.

### Meets Industrial Application Requirements

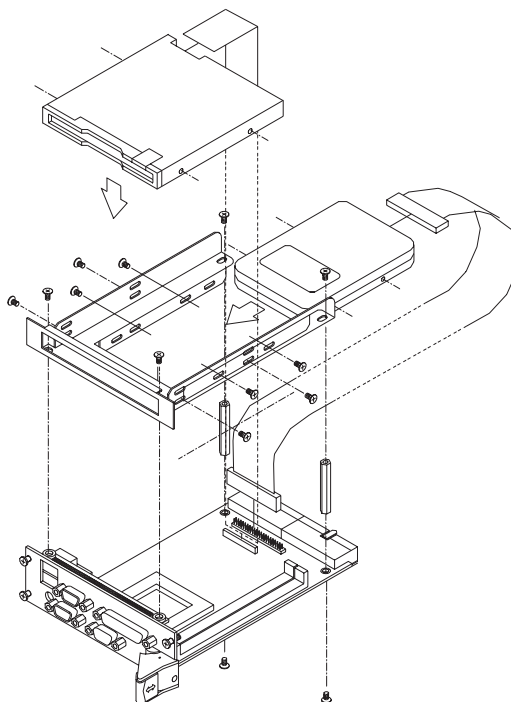
The MIC-3350 is designed for use in mission critical applications. It accepts the DOC 2000 single chip Flash disk for diskless operation. It also features power management to minimize power consumption. A

watchdog timer can automatically reset the system or generate an interrupt if the system stops due to a software bug or EMI. The two-layer front panel design is IEEE 1101.10 compliant. Connectors are firmly screwed to the front panel, and a replaceable shielding gasket is attached to the panel edge. This reduces emissions and gives better protection against external interference.



The MIC-3350 accepts an FDD and a 2.5" HDD

## Installation



## Specifications

### Standard SBC functions

- **CPU:** Intel® Pentium® MMX up to 233 MHz, NS 6x86MX, Winchip, AMD K5, K6, up to 333 MHz
- **BIOS:** Award 2 MB Flash memory
- **Chipset:** SiS5598
- **Front side bus clock:** 66 MHz
- **Bus interface:** 32-bit, 25 ~ 33 MHz, PICMG 2.0 compliant
- **2nd level cache:** Onboard 512 KB Pipeline Burst SRAM
- **RAM:** Two 72-pin SIMM sockets. Supports DRAM with memory capacity from 2 to 64 MB
- **Enhanced IDE interface:** One onboard IDE channel supports PIO Mode 4 and DMA/33 mode
- **Floppy disk drive interface:**  
Supports one floppy disk drive, 1.44 MB or 2.88 KB
- **Parallel port:** Configured to LPT1, LPT2, LPT3 or disabled. Supports multimode parallel (SPP/EPP/ECP) port
- **Serial ports:** One RS-232, one RS-232/422/485 and 2 USB ports
- **Watchdog timer:** Can generate a system reset or IRQ 15. Software enabled/disabled. Time interval from 1 to 62 seconds. Jumperless with run-time setup
- **Keyboard & mouse connectors:** Supports PS/2 keyboard and PS/2 mouse
- **PCI bus:** Drives 7 peripherals with max. 4 bus masters

### PCI SVGA Interface

- **Display memory:** 0.5 to 4 MB shared system DRAM, user-defined

- **Display resolution:** Supports non-interlaced CRT monitor resolutions up to 1600 x 1200 @ 256 colors, 16 million colors up to 1024 x 768

### Mechanical and environmental specifications

- **Max. power requirements:** +5 V (4.75 ~ 5.25 V) @ 5.5 A
- **Operating temperature:** 0 ~ 60° C (32 ~ 140° F)
- **Storage temperature:** -20 ~ 70° C (-40 ~ 165° F)
- **Humidity (operating and storage):** 5 ~ 95% (non-condensing)
- **Size:** 100 x 160 mm (6U size), 2-slot width (8TE)  
\* Additional 1-slot wide (4-TE) bracket can be used for mounting one hard disk drive and one floppy disk drive
- **Weight:** 0.5 kg (1.1 lb)
- **Shock:** 20 G (operating); 50 G (storage/transit)

## Ordering Information

- ☐ **MIC-3350:** 3U CompactPCI Pentium®-based ISBC with VGA, utility CD-ROM disc, HDD and FDD mounting bracket, manual
- ☐ **PCD-2000:** DiskOnChip® 2000 single chip Flash disk