

AIMB-552

Socket 478 Intel® Pentium® M/Celeron® M Processor based MicroATX with DDR2/ 10 COM/ Dual LAN

NEW



Features

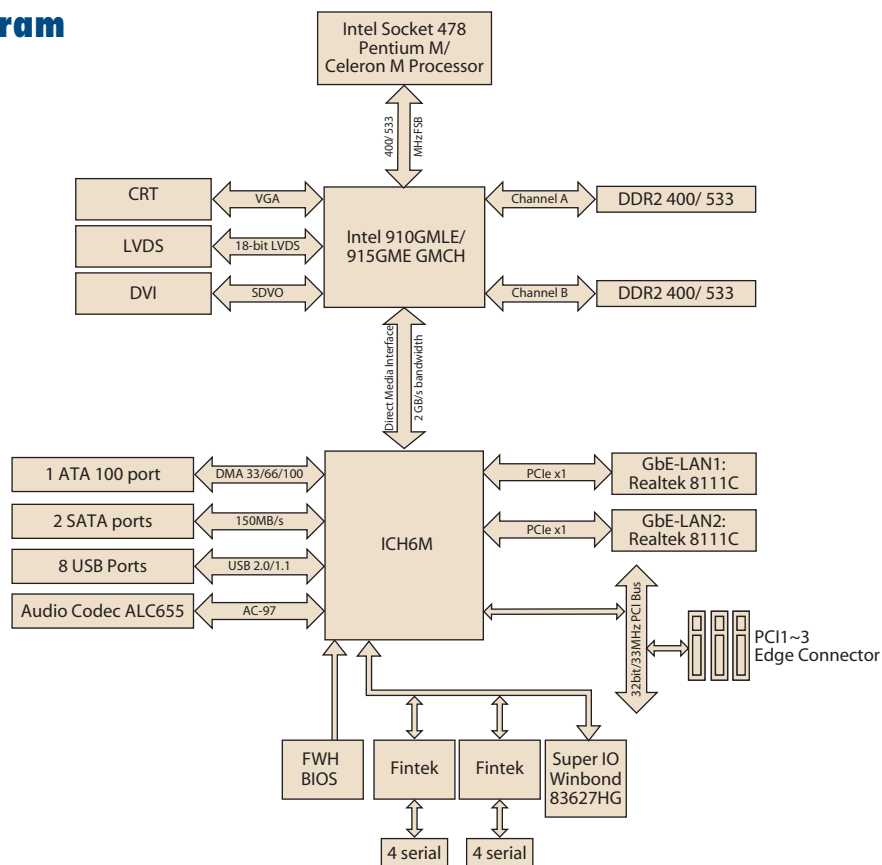
- Intel 910GML/915GME chipset supporting 400/533 MHz FSB processor
- Supports dual channel DDR2 400/533 SDRAM up to 2 GB
- Dual display support for VGA, LVDS, and DVI display devices
- Supports 10 serial ports, 8 USB, and 2 SATA ports
- Supports onboard CF socket
- Dual Gigabit Ethernet ports

Specifications

Processor System	CPU (90 nm/130 nm)	Intel Pentium M	Intel Celeron M	Intel ULV Celeron M	Intel ULV Celeron M		
	Max. Speed	2.0 GHz	1.5 GHz	600 MHz	1 GHz		
	L2 Cache	2 MB	1 MB	512 KB	0 KB		
	Chipset	Intel 910GML*/915GME + ICH6M					
	BIOS	Award® 4 Mbit FWH					
Expansion Slot	Front Side Bus	400/533 MHz					
	PCI	32-bit/33 MHz, 3 slots					
Memory	Technology	Dual channel DDR2 400/533 SDRAM					
	Max. Capacity	2 GB					
	Socket	240-pin DIMM x 2					
Graphics	Embedded	Intel GMA 900 sharing 128 MB system memory					
	LVDS	Single channel 18-bit/ dual channel 36-bit LVDS					
	DVI	Chrontel 7307C SDVO Transmitter (option)					
	Dual display	VGA + LVDS, VGA + DVI, LVDS + DVI					
Ethernet	Interface	10/100/1000 Base-T					
	Controller	GbE LAN1: Realtek RTL8111C, GbE LAN2: Realtek RTL8111C					
	Connector	RJ-45 x 2					
SATA	Max. Data Transfer Rate	150 MB/s					
	Channel	2					
EIDE	Mode	ATA 100/66/33					
	Channels	1 (Max. two devices)					
SSD	Compact Flash	Compact Flash® card Type I/II					
I/O Interface	VGA	1					
	LVDS	1					
	DVI	1 (internal pin header)					
	LAN	1 (for VG version); 2 (for G2 version)					
	USB	8 (USB 2.0, 480 Mbps; 4 external ports and 4 onboard pin headers)					
	Audio	2 (LINE-Out, and MIC-In)					
	Serial	10 (2 of RS-232/422/ 485)					
	Parallel	1 (SPP/EPP/ECP)					
	FDD	1					
	PS/2	2 (keyboard and mouse)					
Watchdog Timer	Output	System reset					
	Interval	Programmable 1 ~ 255 sec/ min					
Power Requirement	Typical	Pentium 2.0 GHz PGA (FSB 533), 1GB DDR2 667		Celeron M 1.0GHz BGA (FSB 400), 1 GB DDR2 533			
		+5 V	+3.3 V	+12 V	+5 V	+3.3 V	+12 V
		2.62 A	0.55 A	1.84 A	3.17 A	0.403 A	0.527 A
Environment	Operating	Non-Operating					
	Temperature	0 ~ 60° C (32 ~ 140° F), depends on CPU's speed and cooler solution.		-20 ~ 70° C (-4~150° F)			
Physical Characteristics	Dimensions (W x D)	244 mm x 244 mm (9.6" x 9.6")					

* Intel 910GML/915GME only supports FSB 400 processor and DDR2 400 SDRAM

Board Diagram



Ordering Information

Part Number	onboard processor	Chipset	DDR2	Display	GbE	COM	DVI
AIMB-552G2-M0A1E	ULV Celeron M 600 MHz	910GML	400	VGA/LVDS	Dual	10	-
AIMB-552G2-S0A1E	ULV Celeron M 1 GHz	910GML	400	VGA/LVDS	Dual	10	-
AIMB-552VG-00A1E	-	915GME	400/533	VGA/LVDS	Single	6	-
AIMB-552G2-00A1E	-	915GME	400/533	VGA/LVDS/DVI	Dual	10	Yes

*AIMB-552 cannot be installed in ACP-2000MB chassis

Riser Card

Part Number	Description
AIMB-RP10P-01A1E	1U riser card for 1 PCI expansion
AIMB-RP30P-03A1E	2U riser card for 3 PCI expansion

Bracket View



AIMB-552VG-00A1E



AIMB-552G2-00A1E

Packing List

Part Number	Description	Quantity
1700340640	FDD cable	x 1
1701400452	IDE HDD cable	x 1
1700003194	Serial ATA HDD data cable	x 2
1703150102	Serial ATA HDD power cable	x 2
1701100300	COM port cable kit	x 9
9689000068	Jumper pack	x 1
1960012531T000	I/O bracket for AIMB-552VG-00A1E	x 1
1960012532T000	I/O bracket for AIMB-552G2 version	x 1
-	Startup manual	x 1
-	Utility CD	x 1
1750000348	CPU cooler for AIMB-552VG/G2-00A1E	x 1
1960017368T000	Passive heatsink for AIMB-552G2-M0A1E	x 1

Accessories

Part Number	Description
1700002314	USB cable with four ports, 30.5cm
1700002204	USB cable with dual ports, 27cm
1700003195	USB cable with dual ports, 17.5cm
1700000821	DVI cables