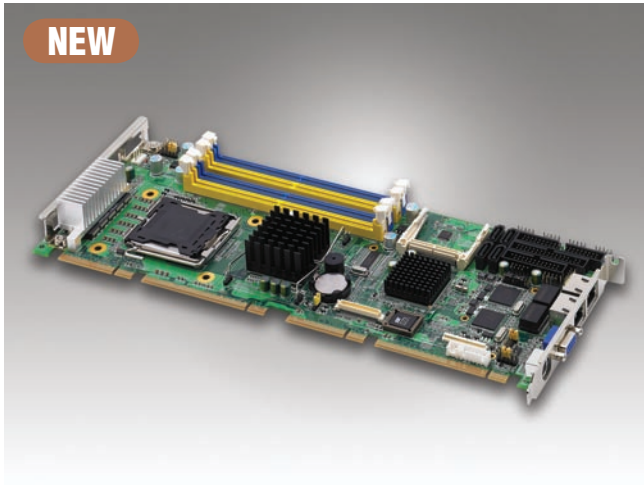


# PCE-5120-A2E

## LGA775 Core™ 2 Duo Processor Card with PCI Express/VGA/Dual GbE LAN

**NEW**



### Features

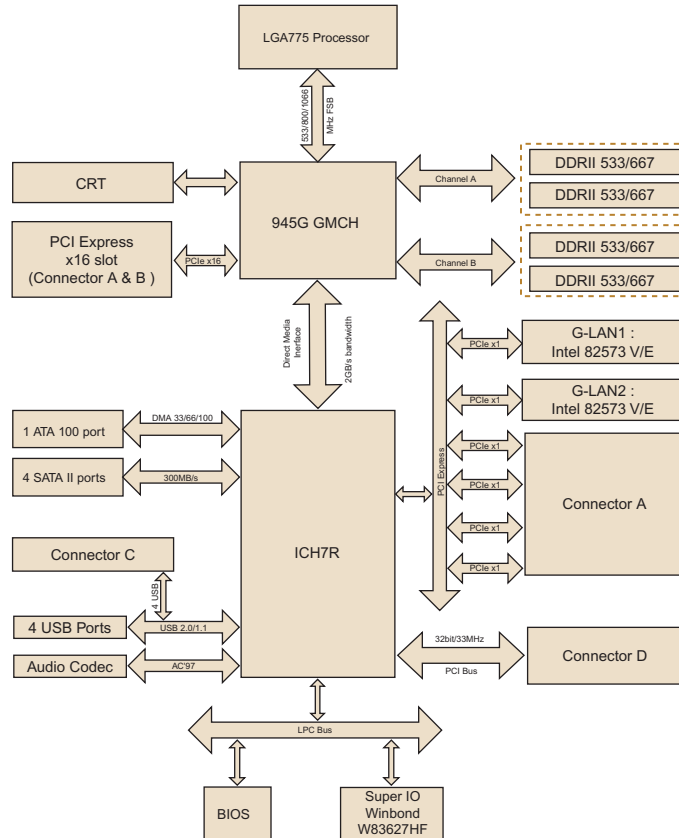
- Complies with PICMG 1.3
- Supports LGA 775 Intel® Core™ 2 Duo with 1066/800/533 MHz FSB
- Supports dual-channel DDR2 533/667 SDRAM up to 4 GB
- One PCIe x16 and four PCIe x1 links to backplane
- Dual Gigabit Ethernet via two PCIe x1 ports
- Onboard IPMI module (optional)
- Four SATA II channels with software RAID 0, 1, 5 and 10



### Specifications

Processor System	CPU	Intel® Core™ 2 Duo	Pentium® Dual-Core	Celeron® 400 Sequence			
	Max. Speed	E6700 (2.66 GHz)	E2180 (2 GHz)	440 (2 GHz)			
	L2 Cache	4 MB	1 MB	512 KB			
	Chipset	Intel 945G + ICH7R					
	BIOS	4 Mb flash via LPC					
	Front Side Bus	1066/800/533 MHz					
Bus	PCI Express	One x16 & four x1 to backplane					
	PCI	32-bit/33 MHz					
	PCI Daughterboard	32-bit/33 MHz Advantech PCI expansion connector for SCSI or PCA-GIGA cards					
Memory	Technology	Dual-channel DDR2 533/667 MHz DIMMs					
	Max. Capacity	4 GB					
	Socket	240-pin DIMM x 4					
Graphic	External Card	PCI Express x16 graphic card					
	Chipset Integrated	Up to 2048 x 1536 @ 75 Hz refresh					
	VRAM	Shared with 224 MB system memory					
	Video Output	15-pin CRT connector x 1					
Ethernet	Interface	10/100/1000Base-T					
	Controller	LAN1: Intel 82573V (PCI Express x1) LAN2: Intel 82573V (PCI Express x1)					
	Connector	RJ-45 with LED connector x 2					
SATA II	Max. Data Transfer Rate	300 MB/s					
	Channel	4 on SHB; supports software RAID 0, 1, 5 and 10					
EIDE	Mode	ATA 100/66/33					
	Channel	1 (supports up to 2 IDE devices including 1 optional type II CF card)					
I/O Interface	USB	Max. 8 (USB 2.0 compliant) 4 on SHB by Pin Header, 4 to Backplane					
	Serial	4 (RS-232) with Pin Header (COM2 can be configured to RS-232/422/485)					
	Parallel	1 (EPP/ECP)					
	FDD	1					
	PS/2	1 (Y cable for mouse and keyboard included)					
Watchdog Timer	Output	Interrupt, system reset					
	Interval	Programmable 1, 2, 4, 8, ..., 256 sec					
Miscellaneous	Audio Output	AC'97 audio interface (requires an audio extension module P/N: PCA-AUDIO-00A1E)					
Power Requirement	Test Conditions	Intel® Core™2 Duo Desktop Processor E6400; DDR2 667 MHz 1 GB x 4					
	Voltage	+12 V	+5 V	+3.3 V	+5 VSB	-12 V	-5 V
	Typical Current	7.6 A	2 A	20 A	0.7 A	0 A	0 A
Environment	Operating	0 ~ 55° C (32 ~ 131° F), depends on CPU's speed				Non-Operating	
	Temperature					-20 ~ 80° C (-4 ~ 176° F)	
Physical	Dimensions (L x W)	338.58 x 126.39 mm (13.3" x 4.98")					

## Block Diagram



## Ordering Information

Part Number	Gigabit LAN	VGA
PCE-5120G2-00A2E	Dual	Yes
PCE-5120VG-00A2E	Single	Yes

## Bracket View



PCE-5120G2-00A2E



PCE-5120VG-00A2E

## Packing List

Part Number	Description	Quantity
1700340640	FDD cable	x 1
1701400452	Ultra ATA 66/100 HDD cables	x 1
1700003194	Serial ATA HDD data cable	x 2
1703150102	Serial ATA HDD power cable	x 2
1701260305	Printer + COM cable	x 1
1701092300	Dual COM port cable kit	x 1
1700060202	Y cable for PS/2 keyboard and mouse	x 1
1750000400	CPU cooler	x 1
1700002314	USB cable with 4 ports	x 1
9689000068	Jumper pack	x 1
-	Startup manual	x 1
-	Utility CD	x 1

## Accessories

Part Number	Description
PCA-AUDIO-00A1E	Audio extension module