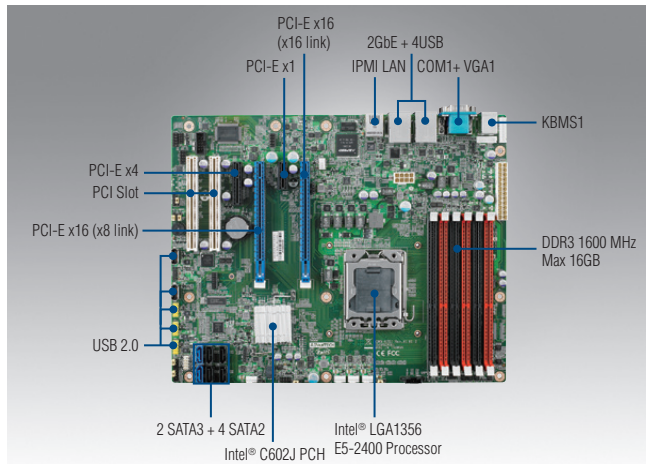


# ASMB-820I

LGA 1356 Intel® Xeon® E5 ATX Server Board with DDR3, 1 PCIe x16 and 1 PCIe x8



CE FCC

## Features

- ATX server board with next generation Intel® processor and max. 96 GB memory capacity
- LGA 1356 Intel® Xeon® E5-2400 processors
- DDR3 1600 MHz RIMM up to 96GB
- One gen-3.0 PCIe x16 and one PCIe x8 slots

### Software APIs:



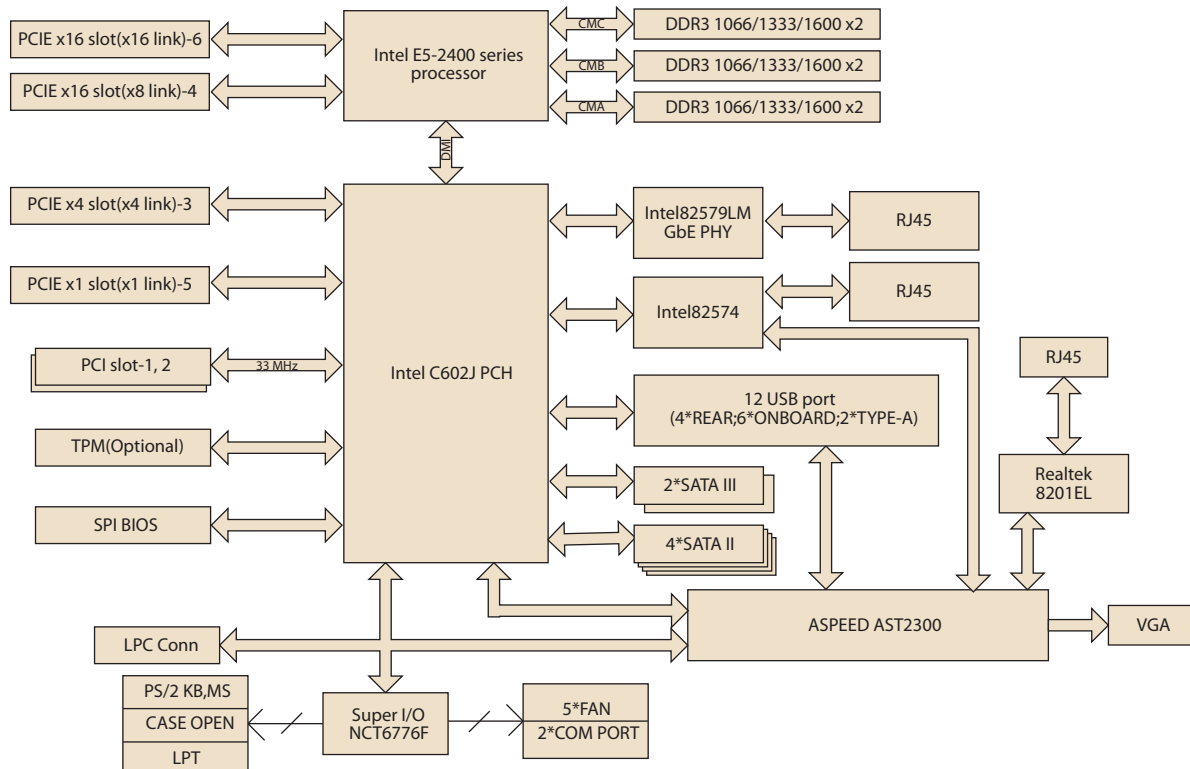
### Utilities:



## Specifications

Form Factor	ATX form factor				
Processor System	CPU	Intel Xeon E5-2400 processor (CPU cooler should be purchased separately and TDP up to 95W)			
	Socket	LGA1356			
Core Logic	Chipset	Intel C602J			
	Technology	3 Channel DDR3 1066/1333/1600, support Non-ECC, ECC UNB, ECC-REG DIMM			
Memory	Max. Capacity	96 GB			
	Socket	6 x 240-pin DIMM			
	Slot location 1	PCI			
Expansion Slot	Slot location 2	PCI			
	Slot location 3	PCIe x4 (Gen2)			
	Slot location 4	PCIe x16 slot (Gen2 x8 link)			
	Slot location 5	PCIe x1 (Gen2)			
	Slot location 6	PCIe x16 (Gen3)			
	Graphics	Controller	AST2300/ AST1300 64 MB		
Networking	Interface	10/100/1000 Mbps			
	Controller	GbE LAN1: Intel 82579LM, GbE LAN2: Intel 82574L, GbE LAN3: Realtek 8201EL (Dedicated for IPMI function)			
	Connector	RJ-45 x 3			
Storage	SATA controller	Intel C602J: 4 SATA2 3 Gb/s ports, 2 SATA3 6Gb/s Intel Matrix Storage (for Windows only) (Supports software RAID 0, 1, 10 & 5)			
	SAS controller	-			
Onboard I/O Connectors	USB	8 (2 Type A)			
	Serial	1 (RS-232)			
	IDE	-			
	SATA	6 (SATA II x4 and SATA III x2)			
	Parallel	-			
	IrDA	-			
	DIO	8 bit GPIO			
	VGA	1			
Rear I/O	Ethernet	3 (1 Dedicated for IPMI function)			
	USB	4			
	Serial	1 (RS-232)			
	PS/2	2 (1 x keyboard and 1 x mouse)			
	Software	-			
Management Solution	Out of band remote management	Yes			
	CPU temperature	Yes			
Monitoring	System Monitoring	Yes			
	Output	System reset			
Watchdog Timer	Interval	Programmable 1 ~ 255 sec/min			
	Power Requirement	Power On	3.3 V	5 V	12 V
		24.75A	16.77A	35.06A	2A 0.1A
		Operating Non-Operating			
Environment	Temperature	0 ~ 60° C (32 ~ 140° F), depends on CPU speed and cooler solution			-40 ~ 85° C (-40 ~ 185° F)
		Physical Characteristics			
Dimensions	304.8 x 244 mm (12" x 9.6")				

## Block Diagram



## Ordering Information

Part Number	Chipset	Memory	GbE LAN	IPMI
ASMB-820I-00A1E	C602J	DDR3 Non-ECC, ECC UNB, ECC-REG	3 (1 dedicated for IPMI)	Yes
ASMB-820-00A1E	C602J	DDR3 Non-ECC, ECC UNB, ECC-REG	2	None

## Packing List

Part Number	Description	Quantity
2066820I00	Driver CD	x 1
2006820I10	Startup manual	x 1
1700003194	SATA data cables	x 2
1703150102	SATA power cables	x 2
1960052312T000	I/O shield	x 1

## Bracket View



ASMB-820I-00A1E



ASMB-820-00A1E

## Optional Accessories

Part Number	Description
PCA-AUDIO-HDA1E	HD Audio-card
PCA-TPM-00A1E	TPM Module
1960055362N011	LGA1356 CPU cooler for 2U/4U chassis
1960057212N001	LGA1356 CPU heatsink for 1U chassis
1700002204	Dual port USB cable (27 cm) with bracket
1700008461	Four port USB cable (30.5 cm) with bracket
1701090401	COM port cable with bracket
1960057212N001	LGA1356 1U CPU Cooler
19Z0000406T000	Rear I/O shield for ACP-1320 chassis

Note: Please order 1 piece each of 1960057212N001 and 19Z0000406T000 for configuring ASMB-820 with ACP-1320 chassis.