

MPC-100E

10.4" Industrial Web Tablet
with Windows® CE .NET



Design Features

Advantech proudly introduces a rugged web tablet, the MPC-100E, a portable wireless Windows® CE-based appliance combining data capture and communication technology. The MPC-100E is designed to provide mobile professionals a real-time wireless solution to access information from remote databases via the Internet or an Intranet. The MPC-100E is ideal for applications in retail, health care, warehousing, home networking, manufacturing process monitoring, hospitality, logistic support and on-site service.

Wireless

Featuring mobility and boundless communication, the latest 802.11b based wireless technology has been built into the MPC-100E. It also maintains flexibility by allowing other WAN/WLAN and PCMCIA card adapters as optional items.

Fully-integrated I/O

To maximize its connectivity with peripherals like barcode scanners, printers, digital cameras, keyboard/mouse, projectors and monitors, the MPC-100E is fully equipped with IR, USB, PS/2 VGA interface ports and RS-485/422/232 protocol COM ports.

High Brightness Display

The high brightness 10.4" TFT LCD provides good visibility. It is especially ideal for displaying graphical content in web-based applications. This advanced LCD technology enables the MPC-100E to function without sacrificing power consumption. The battery can last for 4-6 working hours on a one-time charge.

Shock & Vibration Resistant

The MPC-100E is rugged and constructed for professionals working in harsh environments. It has a magnesium housing and internal shock-absorbing design meets the industrial durability.

Spill & Dust Resistant

The I/O ports, LCD panel and internal circuits of the MPC-100E have been designed to resist spills and water damage. Advantech took it further by making it dust-resistant with a protected LCD, sealed ports and card slots for extra protection.

Features

- Wireless Connectivity
- 10.4" high brightness TFT LCD display with touchscreen
- Rugged design - shock & vibration resistance
- Spill & Dust Resistance

Applications

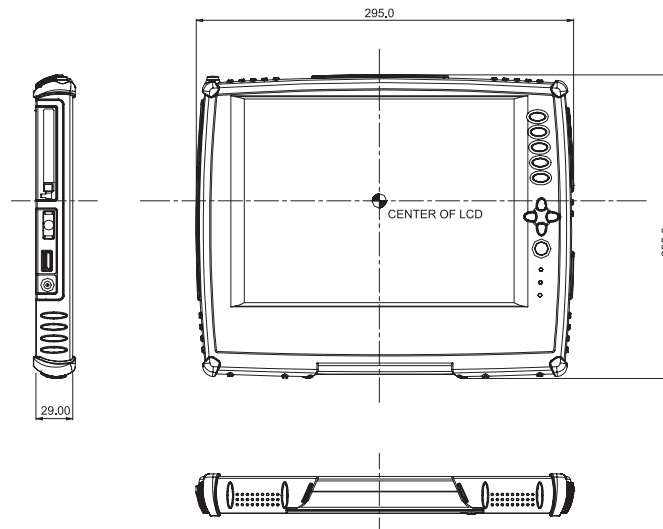
- Data collection/data acquisition
- Inspection in Manufacturing Automation Industry
- Warehouse management and Inventory tracking
- Transportation & logistic operations

Specifications

- **Processor** Intel® XScale PXA255 400 MHz and companion chip SA1111
- **Operating System** Windows® CE .NET
- **Memory**
 - System: 128 MB SDRAM onboard
 - Storage: 32 MB Flash ROM on removable module
- **Optional Storage** CompactFlash™ card Type II
- **Display**
 - Panel: 10.4" TFT high brightness LCD
 - Resolution: 800 x 600 SVGA
- **Audio System** AC-Link Audio
 - 1 x internal buzzer, 2 x internal speakers
- **PCMCIA** 1 x PCMCIA Type II slot
- **CompactFlash™** 1 x CompactFlash™ Type II slot (Push-push slot)
- **Application Button**
 - 5 x customer-defined hot keys for application selection
 - 1 x suspend switch
 - 1 x Software reset switch
 - 1 x Hardware reset switch (under the flash-board door)
- **Pointing Device**
 - Built-in resistive touch panel
 - 4 direction keys with one enter key
 - 5 programmable function buttons
- **Battery**
 - Primary battery pack (4-cell) with smart Li-ion battery, 4-6 hour battery life
 - Enhanced battery pack (8-cell) with smart Li-ion battery, 8-10 hour battery life
 - *Enhanced battery pack is not an off-the-shelf item. Advantech will supply these with a minimum quantity per lot.
- **Power Adapter** Universal AC 90 V ~ 265 V, 47~ 63 Hz input, 19 V_{DC}, 3.16 A output, 60 W
- **LED Status Indicator**
 - Power LED, power on: green; power off: dark
 - Charging LED, charging: orange, blinking when battery low.
 - Docking LED, docking: green

Dimensions

Unit: mm (inch)



- **I/O Port**
 - 1 x PCMCIA Type II slot
 - 1 x CompactFlash™ Type II card socket support
 - 1 x USB Type A connector
 - 1 x RS -232/422/485 (selected by jumper setup)
 - 1 x PS/2 for mouse / keyboard
 - 1 x IrDA interface
 - 1 x mini-VGA connector
 - 1 x DC-in jack
 - 1 x Audio jack for external headphone
 - 1 x Audio jack for external Microphone
 - 1 x Cradle connector
 - **RF**
 - 802.11b LAN, through PCMCIA card
 - **Major Applications**
 - Browser (support plug-in), thin-client, e-mail, customer-designed AP
 - **Application Software**
 - IE, RDP, Hand writing recognition, On-screen K/B, Media player, Pocket word.
 - **Physical**
 - Dimensions: 295 (W) x 235 (D) x 28 (H) mm
 - Weight: 1.35 kg (with primary battery pack & 10.4" Panel)
 - **Cradle Station**
 - USB host controller supports 2 USB ports
 - RJ-45 for Ethernet port
 - 2 x PS/2 connector
 - 1 x USB Type B connector for synchronize with PC
 - 1 x DC-in jack
 - 2 x USB host connector
 - **Environment**
 - Operating Temperature: 0°~ 40° C (32° ~ 104° F)
 - Storage Temperature: -20°~ 60° C (-4° ~ 140° F)
 - Operating Humidity: 30% ~ 90%
 - Water/dust protection on panel side
 - Vibration/shock: IEC 68-2-27
 - **EMI/Safety**
 - FCC class B, CE, UL/CUL, BSMI, VCCI, CCIB
- ### Ordering Information
- **MPC-100E-HOUCE1**
 - MobiPanel with 10.4" high brightness TFT LCD, Intel Xscale 400 MHz CPU, 128 MB SDRAM and 32 MB Flash memory on board, English OS image and European power cord
 - **MPC-100E-HOECE1**
 - MobiPanel with 10.4" high brightness TFT LCD, Intel Xscale 400 MHz CPU, 128 MB SDRAM and 32 MB Flash memory on board, English OS image and USA power cord
- ### Wireless Connectivity
- 802.11b based wireless technology has been built into MobiPanel 100E. Users can use Advantech 802.11b PCMCIA wireless LAN card MLAN-3325 on MPC-100E to get the wireless connectivity. The driver of MLAN-3325 has been included in the image of MobiPanel.
- **MLAN-3325A/3325E/3325J**
 - 802.11b Wireless LAN PCMCIA card (Detachable Antenna) for USA/Europe/Japan

1

SoC

2

RISC SoM

3

RISC CE-Builder

4

RISC System Platforms

MPC-100-913

MPC-100-902

MPC-100-904

Cradle Station

Carry Case

Vehicle Mount



MPC-100-913

Features

- Easy to use on the desk
- Expansion for other devices
- Synchronize with desktop
- RJ-45 for Ethernet

Introduction

This cradle station provides the function to synchronize information with your PC and offers varied I/O ports to extend the usage of the MobiPanel with a simple docking action.

I/O Ports

- USB host controller supports 2 USB ports
- RJ-45 for Ethernet port
- 2 x PS/2 connector
- 1 x USB Type B connector to synchronize with PC
- 1 x DC-in jack



MPC-100-902

Features

- Hand strap
- Shoulder strap
- Carry handle
- Stand on desk capability

Introduction

Carry case is designed for easy carrying, spill & dust resistance. This carry case includes hand strap, detachable shoulder strap, carry handle, and penholder. Users can easily view and touch the monitor, press 5 function keys, and swap the battery pack even when the web tablet is put in the case. In addition, the carry case can act as a desktop stand.



MPC-100-904

Features

- Robust design protects against shock and impact
- Vertical viewing angle adjustable
- Horizontal viewing angle adjustable
- Keyboard plate

Introduction

Besides indoor use and field use, you can use MobiPanel in a vehicle for logistics, transportation, dispatch and so on. Vehicle Mount provides industrial strength protection against shock, impact, and vibration from the vehicle.

You can adjust the viewing angle of MobiPanel in the horizontal and vertical direction to fit different needs. MobiPanel will hold the desired the viewing angle when the vehicle is on road because of the secure mounting design. The keyboard plate allows you to use keyboard in the vehicle.



MPC-100-906

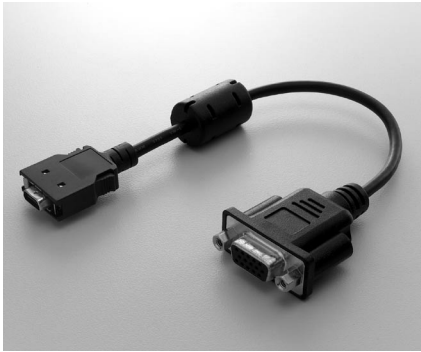
MPC-100-914

MPC-100-909

Mini VGA Cable (5Pcs/1pack)

Standard 4 Cell Battery Pack

3 in 1 Charging Station



MPC-100-906

Features

- Standard VGA connector
- Output to other display device

Introduction

You can use the mini VGA cable to connect devices with a standard VGA port, such as a monitor or projector, to the mini-VGA port on your MobiPanel. Then you can operate and use the MobiPanel with other display devices.



MPC-100-914

Features

- Lithium-Ion rechargeable battery pack
- Removable for MobiPanel
- Smart Battery
- 1800 mAh

Introduction

Rechargeable and removable Lithium-Ion battery pack provides 4.5 ~ 5 hours for MobiPanel full running and more than 8 hours for typical use (full run/suspend mixed). The battery can be hot swapped any time for the MobiPanel. Lithium-Ion battery supports 300 times charge/discharge cycle.



MPC-100-909

Features

- CC-CV charging mode
- Safe charging
- 3 LED indicators to show the charging status
- 3 independent sets of charger control systems for Li-Ion battery

Introduction

3 in 1 Charging Station has 3 independent sets to charge 3 standard battery packs at the same time. The fully-charged battery packs can be swapped while the MobiPanel is running power. 3 LED indicate power on, charging, and full-charge status of the battery pack. (MPC-100E default AC-DC adapter is required)

MPC-100-911 Stylus (10pcs/1pack)



Features

- Lightweight

Introduction

The stylus has been specially designed for use with your MobiPanel.

1
SoC

2
RISC SoM

3
RISC CE-Builder

4
RISC System Platforms

