

TPC-651H TPC-1251H TPC-1551H

5.7" VGA / 12.1" SVGA / 15" XGA TFT LCD Intel® Atom™ Touch Panel Computers with Wide Operating Temperatures

NEW



Features

- Intel® Atom™ processor (up to 1.33 GHz)
- 5.7" VGA / 12.1" SVGA / 15" XGA TFT LED backlight LCDs
- -20 ~ 60° C wide operating temperature
- Compact design with die-cast Al alloy front bezel
- Fanless cooling system
- NEMA4/IP65 compliant front panel
- Supports Microsoft® Windows WES7/XP/XPe/CE
- Dual Gigabit Ethernet supported
- Isolation Protection for Serial ports
- Energy Star approval

Introduction

With a high quality TPC product line, TPC extends its Touch Panel Computer family with Intel® Atom™ platform for 5.7", 12.1" & 15". They are designed with Intel® Atom™ eMenlow XL processor as its core. The Intel Atom has low power consumption and wide operating temperature. This system is fanless, slim design and the front bezel is die-cast Al alloy material. This product also provides a -20~60° C wide operating temperature solution and complete isolation protection for its serial ports. TPC series are durable and reliable platform.

Specifications

General

- **BIOS** Award® 4 MB
- **Certifications** BSMI, CCC, CE, FCC Class A, UL
- **Cooling System** Fanless design
- **Dimensions (W x H x D)** TPC-651H: 195 x 148 x 58 mm (7.68" x 5.83" x 2.28")
1251H: 311 x 237 x 54 mm (12.24" x 9.33" x 2.12")
1551H: 383 x 307 x 58.1 mm (15.08" x 12.09" x 2.29")
- **Enclosure** TPC-651H: ABS and ABS + PC
1251H/1551H: Front bezel: Die-cast Aluminum alloy
Back housing: SECC
- **Mounting** Desktop, Wall or Panel Mount
- **OS Support** Windows XP/WES7/XPe/CE/Linux
- **Power Consumption** 17 W / 35 W / 40 W (typical)
- **Power Input** 18 ~ 32 V_{DC}
- **Watchdog Timer** 1 ~ 255 sec (system)
- **Weight (Net)** 1.43 kg (3.15 lb) / 2.5 kg (5.51 lb) / 3 kg (5.51 lb)

System Hardware

- **CPU** Intel Atom 1.33 GHz with 512KB cache
- **Chipset** eMenlow XL + Poulsbo
- **Memory** 1GB SO-DIMM DDR2 667 SDRAM
Up to 2GB (One channel)
- **LAN** 10/100/1000Base-T x 2
- **Storage** CompactFlash® slot x 1
- **I/O** RS-232 x 1 (with isolation)
RS-422/485 x 1 (with isolation)
USB 2.0 x 2 (Host)

LCD Display

- **Display Type** VGA / SVGA / XGA TFT LED LCD
- **Display Size** 5.7" / 12.1" / 15"
- **Max. Resolution** 640 x 480 / 800 x 600 / 1024 x 768
- **Max. Colors** 262 K
- **Luminance cd/m²** 700 / 450 / 350
- **Viewing Angle (H/V°)** 160/140
- **Backlight Life** 50,000 hrs
- **Contrast Ratio** 800:1 / 700:1 / 700:1

Touchscreen

- **Lifespan** 10 million touches at single point
- **Light Transmission** Above 75%
- **Resolution** Linearity
- **Type** 5-wire, analog resistive

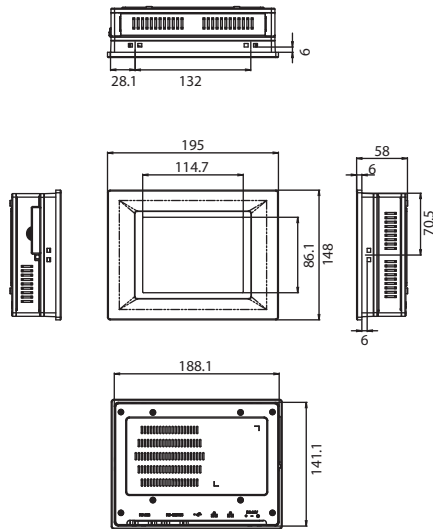
Environment

- **Humidity** 10 ~ 95% RH @ 40° C, non-condensing
- **Ingress Protection** Front panel: NEMA4, IP65
- **Operating Temperature** -20 ~ 60° C (-4 ~ 140° F)
- **Storage Temperature** -30 ~ 80° C (-22 ~ 176° F)
- **Vibration Protection** 2 Grms (5 ~ 500 Hz)
(Operating, random vibration)

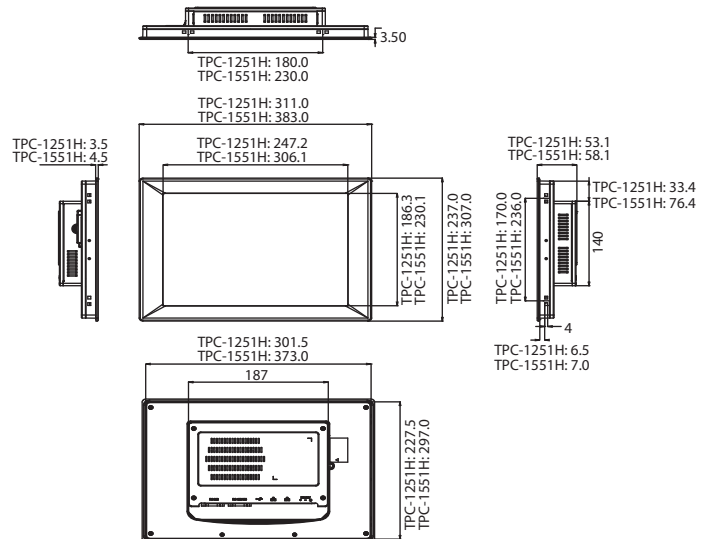
Dimensions

Unit: mm

TPC-651H



TPC-1251H/1551H



Panel Cut-out Dimensions:
 TPC-651H : 189.1 x 142.1 mm
 TPC-1251H: 302.5 x 228.5 mm
 TPC-1551H: 374.5 x 298.5 mm

Ordering Information

- **TPC-651H-Z2AE** 5.7" VGA Touch Panel PC, Atom 1.33GHz, 1GB
- **TPC-1251H-Z2AE** 12.1" SVGA Touch Panel PC, Atom 1.33GHz, 1GB
- **TPC-1551H-Z2AE** 15" XGA Touch Panel PC, Atom 1.33GHz, 1GB

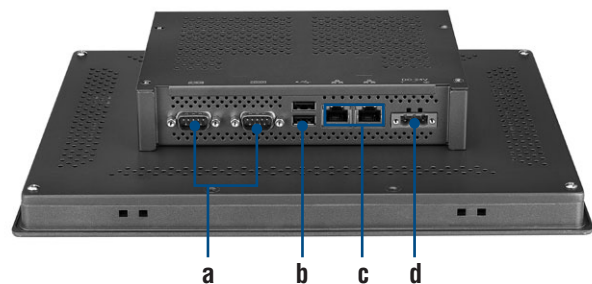
Accessories

- **TPC-1570H-SMKE** TPC-1551H Desktop Stand
- **TPC-1250H-SMKE** TPC-1251H Desktop Stand
- **TPC-1570H-WMKE** TPC-1551H Wallmount Kit
- **TPC-1250H-WMKE** TPC-1251H Wallmount Kit
- **TPC-651H-EHKE** TPC-651H/1251H/1551H Extension HDD Kit
- **PWR-247-AE** 24 V 50 W AC-DC Power Adapter
- **1702002600** Power Cord 3P UL/CSA(USA) 125V 10A 1.83M

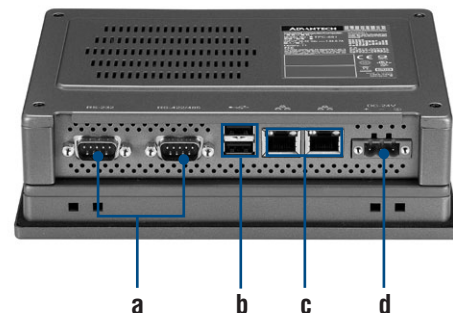
* Stand and Wall mount kits not compatible with HDD extension kit.

Rear View

TPC-1251H/1551H



TPC-651H



a. COM (RS-232, RS-422/485)
 b. USB 2.0

c. LAN (10/100/1000)
 d. Power Receptor