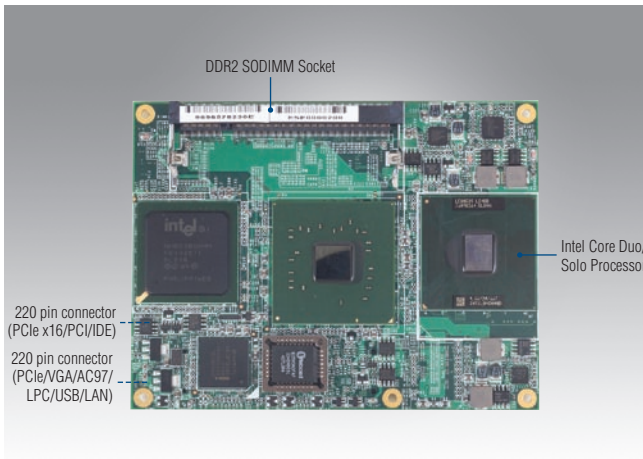


SOM-5782 Series

Intel® Core™ 2 Duo/Core™ Duo/
Celeron® M Processor COM-Express
Module with CPU, VGA/LVDS, Audio
& LAN



Features

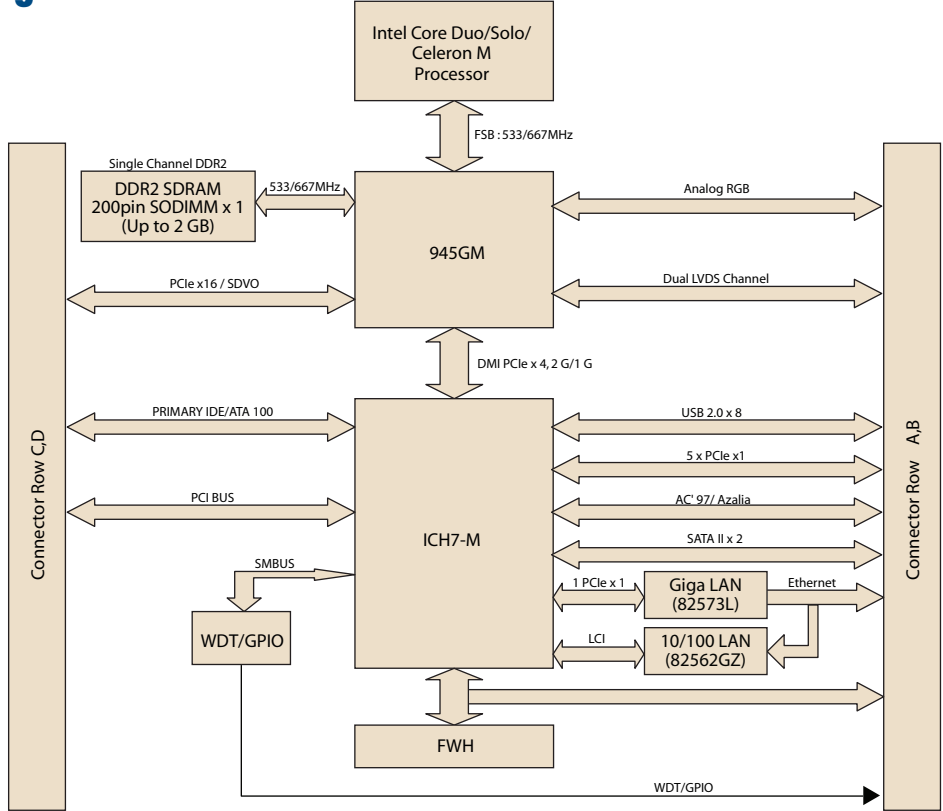
- Embedded Intel® Core™ 2 Duo/Core™ Duo/Celeron® M Processor
- Intel graphics core based on GMA 950
- Supports PCI Express x16 graphics interface or 2 SDVO
- Supports 8 host USB 2.0 ports and 2 SATA ports
- Supports dual channel LVDS panel



Specifications

Processor System	CPU	Embedded Intel Core 2 Duo/Core Duo/Celeron M Processor
	System Memory	1 x 200-pin SODIMM sockets, DDR2 400/533/667 MHz up to 2 GB
	2nd Cache Memory	2 MB on the Intel Core Duo Processor
	System Chipset	Intel 945GM GMCH/ICH7-M Chipset 667 MHz FSB
	BIOS	AWARD™ 4 Mbit Flash BIOS
	Watchdog Timer	256 levels timer interval, from 0 to 255 sec or min setup by software, jumperless selection, generates system reset
I/O	Expansion Interface	Supports PCI Express & PCI/LPC interface
	PATA	1 x EIDE (UDMA 100)
	SATA II	2 x SATA, data transfer rates up to 300 MB/s
	USB	8 x USB 2.0 compliant ports
	Audio	High definition audio interface (AC97/Azalia)
Ethernet	Controller	Intel 82562GZ (10/100 M)/82573L (Optional for Gigabit Ethernet)
	Speed	10/100/1000Base-T
Display	Chipset	Intel 945GM
	Memory	DVMT 3.0 support up to 224 MB
	Resolution	CRT Display Mode: Supports max DAC frequency up to 400 MHz and 24-bit RAMDAC, DDC2B compliant and up to 2048 x 1536 LCD Interface: Supports 25 to 112 MHz single/dual channel LVDS interface. Maximum panel size supported up to UXGA TFT panel type
Power	Power Supply Voltage	+12 V, +5 VSB
	Power Requirement	Typical: (1 GB DDR2 667) +12 V @ 1.58 A (Intel Core Duo T2500) +12 V @ 1.13 A (Intel Core Duo L2400) +12 V @ 1.03 A (Intel Celeron M processor ULV 423)
		Max: (1 GB DDR2 667) +12 V @ 2.1 A (Intel Core Duo T2500) +12 V @ 1.58 A (Intel Core Duo L2400) +12 V @ 1.26 A (Intel Celeron M processor ULV 423)
Environment	Operating Temperature	0 ~ 60° C (32 ~ 140° F)
	Operation Humidity	0% ~ 90% relative humidity, non-condensing
Mechanical	Dimension	125 x 95 mm (4.92" x 3.74")

Board Diagram



Ordering Information

SOM Module

Part No.	CPU	LAN
SOM-5782FL-00A1E	Intel Socket 478	10/100
SOM-5782FL-S0A1E	Intel Celeron M ULV 423 @ 1.06 GHz	10/100
SOM-5782FL-S7A1E	Intel Core Duo LV L2400 @ 1.66 GHz	10/100
SOM-5782FL-U0A1E	Intel Core Duo T2500 @ 2.0 GHz	10/100
SOM-5782FG-00A1E	Intel Socket 478	GbE
SOM-5782FG-S0A1E	Intel Celeron M ULV 423 @ 1.06 GHz	GbE
SOM-5782FG-S7A1E	Intel Core Duo LV L2400 @ 1.66 GHz	GbE

Development Board

Part No.	Description
SOM-DB5700-00A2E	Development Board for SOM-Express Rev.A2
SOM-DB5700G-00A2E	Development Board for SOM-Express GLAN Rev.A2