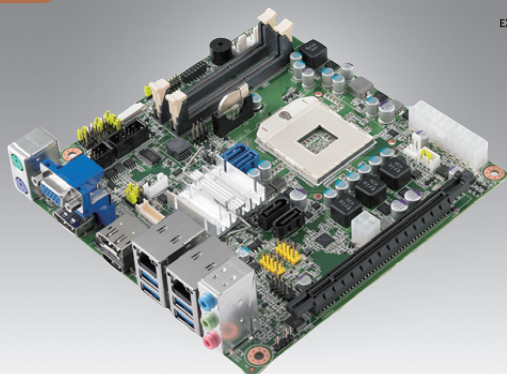


# AIMB-273

Intel® Core™ i7/i5/i3/Celeron uFC-PGA988  
Mini-ITX with 2 DP/HDMI/LVDS/CRT,  
2 COM, Dual LAN, PCIe x16

NEW



iManager susiAccess RoHS COMPLIANT CE FCC

## Features

- Supports Intel® Core™ i7/i5/i3 mobile processor (PGA) with Intel QM77 chipset
- Supports triple display of 2 DP, HDMI, LVDS, CRT
- Supports PCIe x16 (Gen 3) and mini PCIe
- Supports Intel vPro, AMT 8.0, PECC 3.0, Software RAID 0,1,5,10, TPM 1.2 (optional)
- Supports iManager, SUSIAccess and Embedded Software APIs

Software APIs:



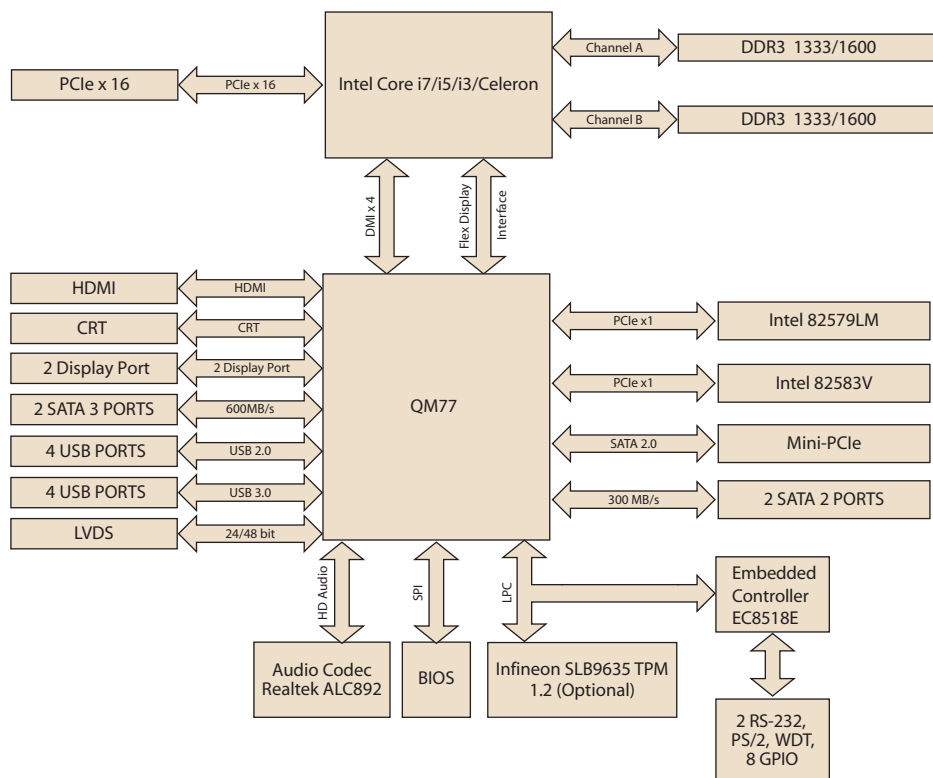
Utilities:



## Specifications

	CPU	Intel Core i7-3610QE	Intel Core i7-2710QE	Core i5-3610ME	Core i5-2510E	Core i3-3120ME	Core i3-2330E	Celeron B810		
Processor System	Core Number	4	4	2	2	2	2	2		
	Max Speed	2.3 GHz	2.1 GHz	2.7GHz	2.5 GHz	2.4GHz	2.2 GHz	1.6 GHz		
	L3 Cache	6 MB	6 MB	3MB	3 MB	3MB	3 MB	2 MB		
	Chipset	QM77								
	BIOS	AMI EFI 64 Mbit SPI								
Expansion Slot	PCI	-								
	Mini-PCIe	1								
	PCIe x16 (Gen3)	16 GB/s per direction, 1 slot								
Memory	Technology	Dual Channel DDR3 1333/1600 MHz SDRAM								
	Max. Capacity	16 GB								
	Socket	2 x 204 PIN DDR3 SODIMM								
Graphics	Controller	Integrated Gfx Gen 7, supports DirectX11, OpenGL 3.1 and OpenCL 1.1								
	VRAM	Shared system memory, 2 GB and above, total system memory shared 1 GB maximum video memory								
	CRT	Yes, supports max. resolution 2048 x 1536								
	LVDS	Single channel 24-bit/dual channel 48-bit LVDS, supports max resolution 1920 x 1080								
	HDMI	Supports HDMI 1.4, 1650 Mbps/channel with 165 MHz								
Ethernet	Triple Display	DP+LVDS+HDMI, DP+DP+HDMI, DP+DP+LVDS, DP+CRT+HDMI (The Celeron B810 processor doesn't support triple display)								
	Interface	10/100/1000 Mbps								
	Controller	GbE LAN1: Intel 82579LM, LAN2: Intel 82583V								
SATA	Connector	RJ-45 x 2								
	Max Data Transfer Rate	600 MB/s (SATA 3.0)/ 300 MB/s (SATA 2.0)								
Rear I/O	Channel	2/2								
	CRT	1								
	HDMI	1								
	Display Port	2								
	Ethernet	2								
	USB	4 (USB 3.0 compliant)								
	Audio	3 (Mic-in, Line-out, Line-in)								
	Serial	-								
	PS/2	2 (1 x keyboard and 1 x mouse)								
	Internal Connector	USB	4 (USB 2.0 compliant)							
		LVDS/inverter	1							
Serial		2 (RS-232, COM2 with 5 V/12 V)								
IDE		-								
SATA		2 (STA 3.0), 2 (SATA 2.0)								
Mini-PCIe		1								
CFast		1								
Parallel		-								
IrDA		-								
Watchdog Timer	GPIO	8-bit								
	Output	System reset								
Power Requirements	Interval	Programmable 1 ~ 255 sec/min								
	Power On	Intel Core i7 -3610QE 2.30GHz processor/DDR3-1333MHz 4G x2/16G SQFlash								
		5 V	3.3 V	12 V		5 Vsb		-12 V		
Environment		3.42 A	1.1 A	1.19 A		0.5 A		0.07A		
	Temperature	Operating 0 ~ 60° C (32 ~ 140° F), depends on CPU speed and cooler solution				Non-Operating -20 ~ 70° C (-4 ~ 158° F)				
Physical Characteristics	Dimensions	170 mm x 170 mm (6.69" x 6.69")								

## Block Diagram



## Ordering Information

Part Number	Chipset	DP	CRT	LVDS	HDMI	GbE LAN	COM
AIMB-273G2-00A1E	QM77	2	1	1	1	2	2

## Optional Accessories

Part Number	Description
1700003195	USB cable with two ports, 17.5 cm
1700002204	USB cable with two ports, 27 cm
1700008461	USB cable with four ports, 30.5 cm

## Packing List

Part Number	Description	Quantity
1700003194	SATA HDD cable	2
1703150102	SATA power cable	2
1960051292N001	CPU cooler	1
1960019192T100	I/O port bracket	1
20060273010	Startup manual	1
20660273000	Driver CD	1

## Embedded OS/API

OS/API	Description
Win XPE	XPE WES 2009
Software API	SUSI V3.0

## I/O View



AIMB-273G2-00A1E