

ARK-6310-6M01E

ARK-6310-3M03E

Fanless Mini-ITX Embedded Computer System

NEW



ARK-6310-6M01E

Features

- Built-in Intel® Core™ 2 Duo 1.06 GHz/Low-Power Celeron M 1.0 GHz
- Comprehensive I/O of Dual Gigabit Ethernet, 4 USB, audio ports, COM ports, and VGA/DVI port
- Wide range of DC input voltage supported: 14 ~ 24 V_{DC}
- Ultra compact and robust construction without fan
- Anti-vibration cushion design to one 2.5" HDD-bay to ensure maximum reliability
- Bottom access cover design gives easy maintenance to CompactFlash socket
- Built-in mounting bracket support wall-mount and table-mount, optional Support of VESA mounting bracket
- Optional WLAN 802.11 b/g module



Specifications

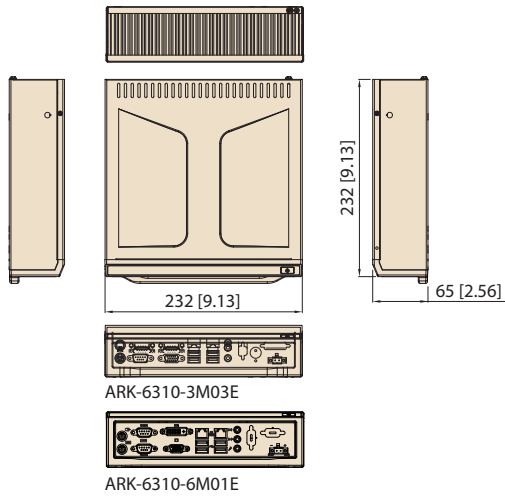
Model		ARK-6310-6M01E	ARK-6310-3M03E
Processor System	Chipset	Intel GME965 + ICH8M	Intel 910GML5 + ICH6M
	CPU	Intel Core 2 Duo 1.06 GHz (U7500)	Intel Celeron M 1.0 GHz
	L2 Cache	2 MB	0 KB
	Front Side Bus	533 MHz	400 MHz
	Memory	DDR2 533/667 SDRAM 1 x 200-pin SODIMM socket up to 2GB*	DDR2 400/533 SDRAM 2 x 240-pin DIMM socket up to 2GB
	BIOS	AMI 16 Mbit SPI	Award 4 Mbit FWH
	Graphics	Controller	Intel GME965 GMCH integrated mobile Intel GMA X3100 controller
VRAM		Intel DVMT 4.0 supports up to 384 MB video memory	Intel DVMT 3.0 supports up to 128 MB video memory
Resolution		2048 x 1536 @ 32 bpp (60Hz)	1600 x 1200 @ 32 bpp (85 Hz)
LVDS Support (optional)		Single channel 18-bit / 24-bit Dual channel 36-bit / 48-bit	Single channel 18-bit Dual channel 36-bit
DVI Support (optional)		DVI specification 1.0 compliant Chrontek CH7307C SDVO transmitter	-
Dual Display		CRT + DVI Optional support CRT + LVDS or DVI + LVDS	Optional support CRT + LVDS
Ethernet	Interface	10/100/1000 Mbps Gigabit Ethernet	10/100/1000 Mbps Gigabit Ethernet
	Controller	Realtek RTL8111B	Realtek RTL8111C
Storage	HDD (supported)	SATA, 2.5"	SATA, 2.5"
Drive Bay	CompactFlash (supported)	Card Type I/II	Card Type I/II
Front I/O Interface	USB	4	4
	PS/2	2	2
	COM	2	3
	RJ-45	2	2
	Audio	3 (Mic-in, Line-in, Line-out)	3 (Mic-in, Line-in, Line-out)
	VGA	1	1
	DVI	1	-
	Reserved Cutouts	2 x COM or 1 x COM & 4 x USB (4 x USB cable kit is required)	1 x COM, 1 x LVDS, 1 x INV
Operating System		Microsoft Windows 2000/ XP/ Vista Windows XP Embedded	Microsoft Windows 2000/ XP/ Vista Windows XP Embedded
Watchdog Timer	Output	System reset	System reset
	Interval	Programmable 1 ~ 255 seconds	Programmable 1 ~ 255 seconds
Power Supply	Power Output Wattage	75 W	
	Input Voltage	14 V _{DC} ~ 24 V _{DC} @ 6.4 A ~ 3.75 A (Max.); 19 V _{DC} @ 4.74 A (Max.)	
	Output Voltage	+5 V @ 6 A (with +5 Vsb @ 2A Max.); +3.3 V @ 5 A; +12 V @ 2 A; -12 V @ 0.3 A; -5 V @ 0.3 A	
Miscellaneous	LED Indicators	Power, HDD, temperature	
	Control	Power on/off switch	
Environment	Temperature	Operating 0 ~ 40° C (32 ~ 104° F)	Non-Operating -20 ~ 60° C (-4 ~ 140° F)
	Humidity	10 ~ 85% @ 40° C, non-condensing	10 ~ 85% @ 40° C, non-condensing
	Vibration (5 ~ 500 GHz)	1 Grms (ARK-6310-3M03E) 0.5 Grms (ARK-6310-6M01E)	2 G
	Dimensions (W x H x D)	232 x 65 x 232 mm (9.1" x 2.6" x 9.1")	
Physical Characteristics	Weight	2.7 kg (6.0 lb)	

*Note: To prevent from system failure due to overheating, ARK-6310-6M01E supports only one 200-pin SODIMM socket.

ARK-6310-6M01E ARK-6310-3M03E

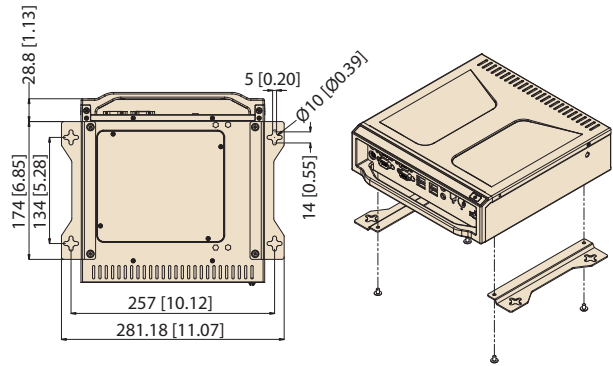
Dimensions

Unit: mm (inch)



Installation

Unit: mm (inch)



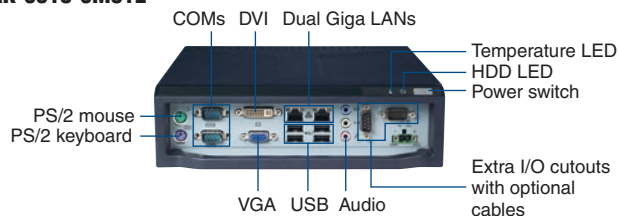
System Ordering Information

Part Number	CPU	Display	G-LAN	*USB	COM	KB/MS	Audio
ARK-6310-6M01E	LV C2D 1.06 GHz	VGA+DVI	2	4 ~ 8	2 ~ 4	Yes	Yes
ARK-6310-3M03E	LV CM 1.0 GHz	VGA	2	4 ~ 8	3 ~ 4	Yes	Yes

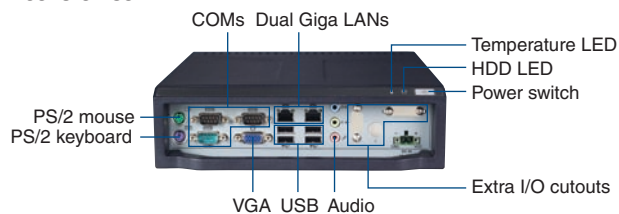
Note: Packing accessory kit is included, and its serial cable supports up to 4 COMs
* Supports up to 8 USB ports via optional cable kit (P/N: 9652631001)

Front View

ARK-6310-6M01E



ARK-6310-3M03E



Rear View



Optional Accessories

External AC-to-DC Adapter and Power Cable

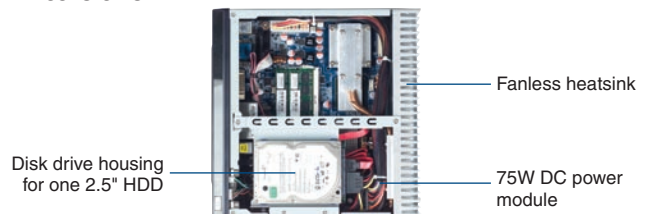
Part Number	Description
1757001377	AC-to-DC adapter, DC 19 V/90 W with Phoenix power plug
1700001947	Power Cable 2-pin 180 cm, USA type
1700001948	Power Cable 2-pin 180 cm, Europe type
1700001949	Power Cable 2-pin 180 cm, UK type
1700002141	Power Cable 2-pin 180 cm, Japan type

Accessories

Part Number	Description
989K008732	VESA Mounting Plate for ARK-6620/6310
ARK-WLAN-USBE	ARK-6 series Wireless LAN 802.11 b/g module
9652631001	4 x USB Cable Kit for ARK-6310

Inside View

ARK-6310-6M01E



ARK-6310-3M03E

