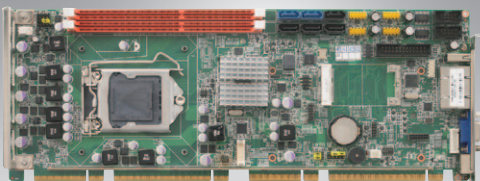


PCE-5126

LGA1155 Intel® Core i7/i5/i3 SHB with Dual Gigabit LAN, DDR3, SATA III

Preliminary



Features

- LGA 1156 Intel® Core™ i7/i5/i3/Xeon® processors
- Dual Channel (ECC) DDR3 1333 MHz up to 8 GB
- Supports SATA RAID 0, 1, 5, 10, AMT7.0, TPM 1.2 (optional)
- Supports embedded software APIs and utilities

Software APIs:



Utilities:



Note: eSOS need ODM BIOS by request

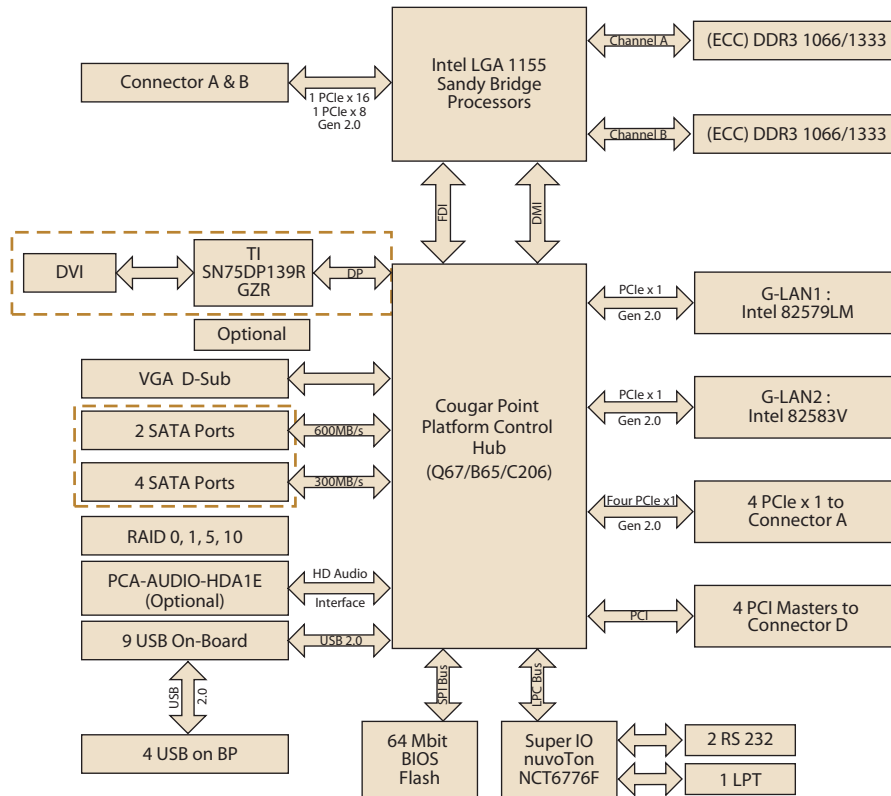


CE FCC

Specifications

Processor System	CPU	Core™ i7 2600	Xeon E3-1275	Xeon E3-1225	Core™ i5 2400	Core™ i3 2120
	Speed	3.4 GHz	3.4 GHz	3.1 GHz	3.1 GHz	3.3 GHz
	L3 Cache	8 MB	8 MB	6 MB	6 MB	3 MB
	Support Model	QG2/QVG	WG2	WG2	QG2/QVG	QG2/QVG/WG2
	Socket	LGA1155				
	Chipset	Q67 for QG2 version; B65 for QVG version; C206 for WG2 version				
	BIOS	AMI 64 MB SPI Flash				
Bus	PCI-Express	One PCIe x16 or two x8, plus four x1 to backplane (Gen 2.0) (Only WG2 version supports two PCIe x8 to support PCE-7XXX backplanes)				
	PCI	Four 32-bit 33 MHz PCI Masters to Backplane				
Memory	Technology	Dual channel (ECC) DDR3 800/1066/1333 MHz (ECC is only for WG2 version)				
	Max. Cap.	4 GB per DIMM, total 8 GB, non-ECC for QG2 version; ECC for WG2 version				
	Socket	Two 240-pin DDR3 memory sockets				
Graphics	On board	Intel HD Graphics				
	VRAM	(TBD)				
	Video Output	15 pin VGA D-sub connector x1/onboard DVI pin header x 1 (DVI optional)				
Ethernet	Interface	10/100/1000 Mbps				
	Controller	LAN1: Intel 82579LM LAN2: Intel 82583V for QG2 version; Intel 82574L for WG2 version				
	Connector	RJ45 with LED Connector x 2 for QG2, WG2 versions				
SATA	Max. transfer rate	600 MB/s				
	Channel	2				
	Max. transfer rate	300 MB/s				
	Channel	4				
	RAID	0, 1, 5, 10				
I/O Interface	USB 2.0	9 ports on the SHB, 4 ports to the BP				
	Serial	2 RS-232 with pin Headers				
	Parallel	1 (EPP/ECP)				
	FDD	-				
	PS/2	1 (for mouse and keyboard, a Y cable is included in the package)				
Watchdog Timer	Output	System reset				
	Interval	Programmable 1, 2, 4, 8, . . . , 256 sec				
Miscellaneous	Audio Output	Intel High Definition audio interface (requires an audio extension module, P/N: PCA-AUDIO-HDA1E)				
Power Requirement	Test Equipment	(TBD)				
	Voltage	+12 V	+5 V	+3.3 V	+5 VSB	-12 V -5 V
	Current	-	-	-	-	-
Environment	Status	Operating			Non-Operating	
	Temperature	0 ~ 60° C (32 ~ 140° F) (operating humidity: 40° C @ 85% RH Non-Condensing)			-40 ~ 85° C and 60° C @ 95% RH Non-Condensing	
Physical	Dimensions	338 x 122 mm (13.3" x 4.8")				

Board Diagram



Ordering Information

Model Name	Chipset	Memory	Backplane	LAN	VGA	USB	COM
PCE-5126QG2-00A1E	Q67	Non-ECC	PCE-5XXX	2 GbE	Yes	13	2
PCE-5126QVG-00A1E	B65	Non-ECC	PCE-5XXX	1 GbE	Yes	11	2
PCE-5126WG2-00A1E	C206	ECC/Non-ECC	PCE-5XXX/7XXX	2 GbE	Yes	13	2

Note 1: WG2 version supports all Advantech PCE-5XXX/7XXX backplanes EXCEPT PCE-7B10-04A1E.

Optional Accessories

Part Number	Description
PCA-AUDIO-HDA1E	Audio extension module
1960047831N001	PCE-5126 Proprietary CPU Cooler

Note: Purchasing PCE-5126's proprietary CPU cooler from Advantech is a must. Other brands' CPU coolers are NOT compatible with PCE-5126.

Packing List

Part Number	Description	Quantity
1700003194	Serial ATA HDD data cable	x 2
1703150102	Serial ATA HDD power cable	x 2
1701260305	COM + printer ports cable kit	x 1
1700060202	Keyboard and mouse Y-cable	x 1
1700008461	4-port USB cable kit	x 1
9689000068	Jumper package	x 1
-	Warranty Card	x 1
-	Startup manual	x 1
-	Utility CD	x 1