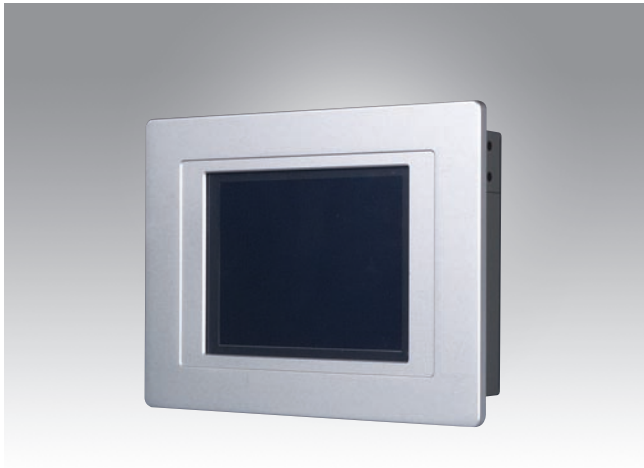


SPC-58A/58C

5.6" RISC-Based Panel PC



Features

- Marvell XScale® PXA270 CPU and Microsoft Windows® CE 5.0
- 5.6" color TFT LCD panel and resistive touchscreen
- Ultra low power consumption and fanless
- Compact size with COM, USB, LAN, CF, and audio interfaces
- IP65 front bezel
- Front-bezel model: ideal design for outside-in mounting
- Adobe® Flash Player & Java Virtual Machine (JVM) as options

Introduction

The SPC-58A integrates the Marvell XScale PXA270 CPU and Windows CE 5.0. It is designed to provide customers with a compact, low power, high performance embedded touch control platform with good networking and graphic performance. SPC-58A has a bright 320 x 234 LCD screen and an elegant aluminum front bezel that is ideal for outside-in mounting. SPC series supports the Adobe Flash Player and Java Virtual Machine (JVM) in the project base. Colorful GUIs are easy to develop using Adobe Flash and Java.

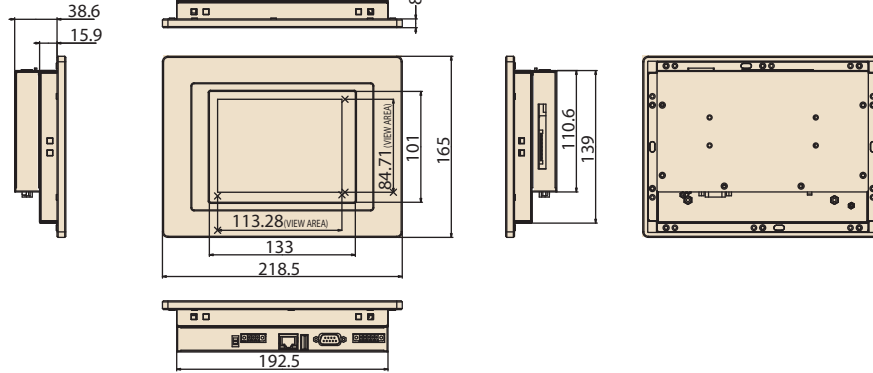
Specifications

System Kernel	CPU	Marvell PXA270 312 MHz (520 MHz as option)
	OS	WinCE 5.0 Professional version
	SDRAM	64 MB
	Boot Flash	1 MB NOR flash for bootloader
	Storage Flash	128/256 MB for image and customer AP
	WDT	PXA270 Internal
	RTC	HT1381 backup by 65 mAh rechargeable coin battery
Display	LCD	5.6" 18-bit color 320 x 234 TFT
	Brightness	500 cd/m ²
	Touchscreen	4-wire resistive
	Graphics Chip	PXA270 Internal
I/O	COM	COM1: RS-232 by DB-9 conn. COM2: RS-485/232/422 by Phoenix conn., default is RS-485. (S/W configurable)
	Ethernet	1 x 10/100Base-T by RJ-45
	USB	1 x USB 1.1 host by type A conn.
	SD/MMC	1 x standard slot (supports memory and I/O mode)
	CompactFlash	1 x type II slot (supports memory and I/O mode)
	Audio	Mic-in, Line-in, Line-out & Speaker-out by expansion conn.
Power	Expansion Conn.	50-pin box headers with: SMBus, Mic-in, Line-in, Line-out, 2-wire RS-232, 1 x USB 1.1 host, 4 x TTL-level DI, 4 x TTL-level DO
	DC Input	10 ~ 28 V DC with internal fuse protection via Phoenix conn.
	Power Switch	Slide type
	Power Consumption	6 W (normal mode w/o peripherals connected)
Mechanical	Power Management	Supports normal mode and idle mode (turns off the LCD power system)
	Material	Front bezel is aluminum, others are made from SPCC
	Mounting	Outside-in panel mount
Environmental	Operating Temp	0 ~ 50° C (32 ~ 122° F)
	Storage Temp	-20 ~ 60° C (-4 ~ 140° F)
	Water/Dust Resistance	IP65 front bezel
	Certifications	CE/FCC/UL
GUI Firmware		Adobe Flash Player 7.0 support (project base) Java Virtual Machine support (project base)

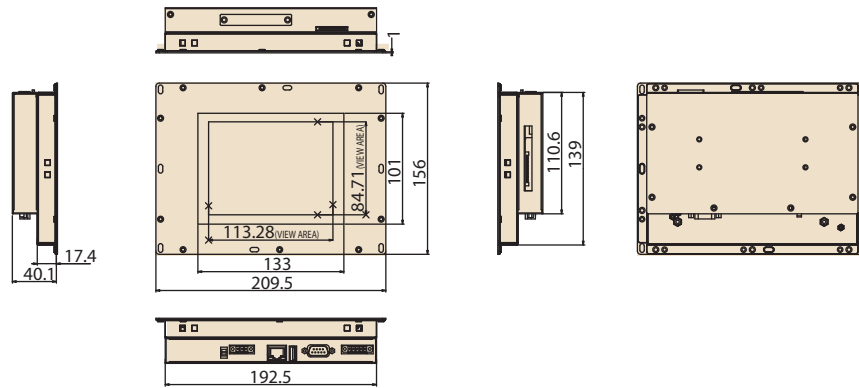
Dimensions

Unit: mm (inch)

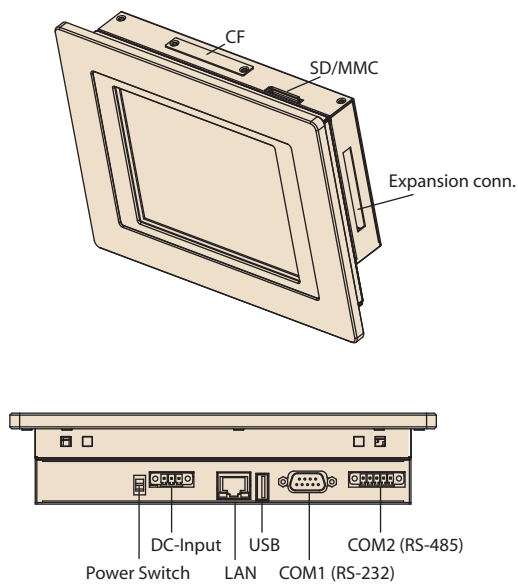
SPC-58A



SPC-58C



I/O Diagram



Ordering Information

Part Number	Description
SPC-58A-347CE1E	Marvell XScale PXA270 312 MHz CPU, WinCE 5.0 pre-installed with 5.6" color TFT LCD, resistive touch screen and aluminum front bezel
SPC-58C-347CE1E	Same as SPC-58A-347CE1E, but without front Bezel.
SPC-POWERSET	60 W power adapter with 3-pin power connector (A power cord must be purchased separately)

Packing List

Description	Quantity
SPC-58A or SPC-58C	1
Windows CE 5.0 end user license agreement (Windows CE 5.0 version)	1
CD-ROM	
1) Readme.txt, User Manual and Datasheet	1
2) Upgrade Utility	
3) Windows CE platforms SDK (for Windows CE 5.0)	
Warranty Card	1
Phoenix power connector	1