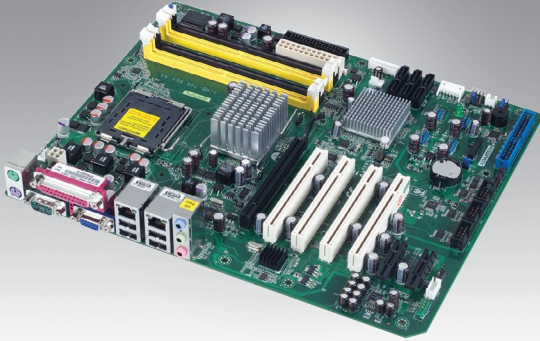


AIMB-766

LGA 775 Core 2 Quad/Core 2 Duo Processor-based ATX with DDR2/Dual GbE/4 COM

NEW



Features

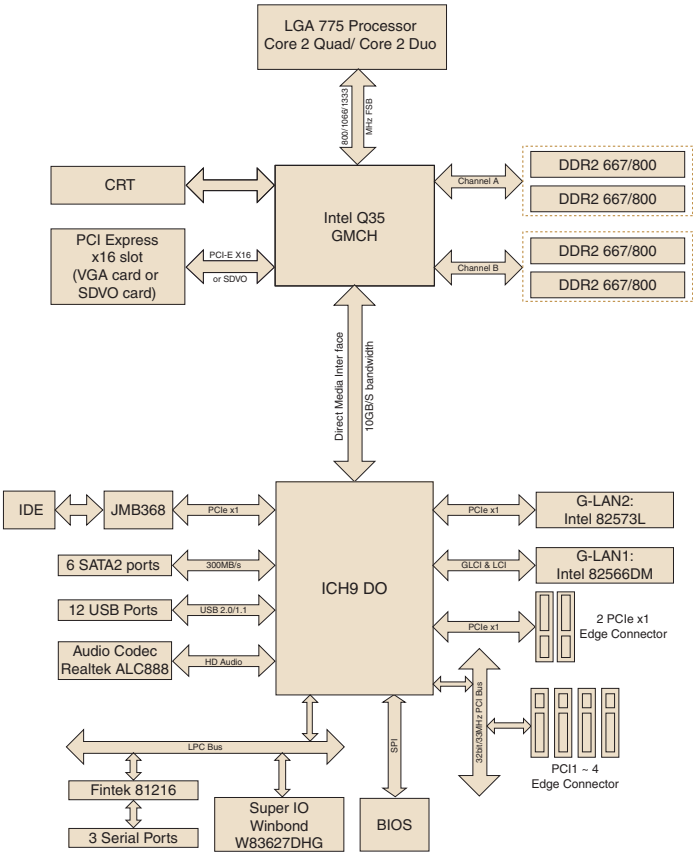
- Intel Q35 and ICH9 DO supporting 800/1066/1333 MHz FSB
- Supports dual core and quad core process with 45nm processing
- Dual channel DDR2 667/800 SDRAM up to 8 GB
- Chipset integrated VGA controller
- PCIe x 16 slot for external VGA card
- Supports 4 PCI and 2 PCIe x1
- Supports 6 SATA II and software RAID 0, 1, 5, 10
- Built in with dual GbE controllers
- support optional TPM module



Specifications

Processor System	CPU (45/65nm)	Core 2 Quad	Core 2 Duo	Pentium Dual Core	Celeron	
	Max. Speed	2.83 GHz	3.16 GHz	2.2 GHz	2.0 GHz	
	L2 Cache	12 MB	6 MB	1 MB	512 KB	
	Chipset	Intel Q35 + ICH9 DO				
	BIOS	AMI 32Mbit SPI				
	Front Side Bus	800/1066/1333 MHz				
Expansion Slot	PCIe x16	4.0 GB/s per direction, 1 slot				
	PCIe x1	1 GB/s per direction, 2 slot				
	PCI	32-bit/33 MHz, 4 slots				
Memory	Technology	Dual channel DDR2 667/800 MHz				
	Max. Capacity	8 GB				
	Socket	240-pin DIMM x 4				
Graphic	Embedded	Intel GMA 3100 sharing 256 MB system memory				
	Add-on	PCIe x16 slot				
Ethernet	Interface	10/100/1000 Base-T				
	Controller	G-LAN1: Intel 82566DM, G-LAN2: Intel 82573L				
	Connector	RJ-45 x 2				
SATA II	Max. Data Transfer Rate	300 MB/s				
	Channel	6				
EIDE	Mode	ATA 100/66/33				
	Channel	1 (max. 2 devices)				
I/O Interface	VGA	1				
	USB	Max. 12 (USB 2.0 compliant) 6 ports on board and 4 ports on rear I/O				
	Audio	2 (MIC-In, Line-Out)				
	Serial	4 (3 of RS-232, 1 of RS-232/422/485)				
	Parallel	1 (SPP/EPP/ECP)				
	FDD	1				
	PS/2	2				
Watchdog Timer	Output	System reset				
	Interval	Programmable 1~ 255 sec./min.				
Power Requirement	Typical	Intel Core 2 Quad9300 2.5 Ghz (1333 MHz FSB), 4 x 1 GB DDR2 800 SDRAM				
		+5 V	+3.3 V	+12 V	+5 Vsb	-12 V
		3.58 A	2.86 A	3.52 A	0.74 A	0.02 A
Environment		Operating			Non-Operating	
	Temperature	0 ~ 55° C (32 ~ 140° F), depends on CPU's speed and cooler solution			-20 ~ 70° C (-4 ~ 158° F)	
Physical Characteristics	Dimensions (W x D)	304.8 x 244 mm (12" x 9.6")				

Block Diagram



Ordering Information

	Chipset	GbE	COM	SATA	SW RAID	AMT 3.0
AIMB-766VG-00A1E	Q35/ICH9	Single	4	4	None	None
AIMB-766G2-00A1E	Q35/ICH9 DO	Dual	4	6	Yes	Yes

Riser Card

Part Number	Description
AIMB-RP30P-03A1E	2U riser card with 3 PCI expansion
AIMB-RP3PF-21A1E	2U riser card with 2 PCI and PCIe 16 expansion

Bracket View



AIMB-766VG-00A1E



AIMB-766G2-00A1E

Packing List

Description	Quantity
IDE HDD cable	x 1
FDD cable	x 1
Serial ATA HDD data cable	x 2
Serial ATA HDD power cable	x 2
COM port cable kit	x 2
I/O port bracket	x 1
Startup manual	x 1
Utility CD	x 1

Accessories

Part Number	Description
1750000334	LGA775 CPU cooler for 4U, 5U, and 7U chassis
1750001661	LGA775 CPU cooler for 2U and wallmount chassis
1960013266T000	LGA775 CPU cooler for ACP-1320 (only for Core 2 Duo)
1700002204	USB cable with dual ports, 27 cm
9680004525	TPM module