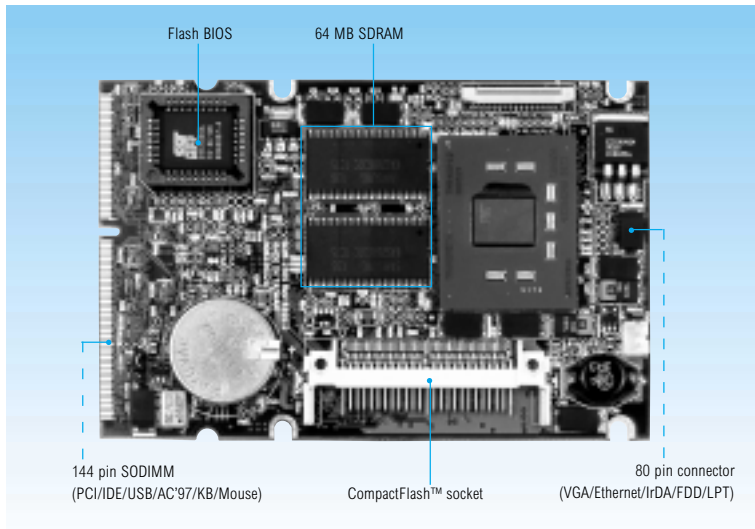


# SOM-2365



Transmeta SOM-144 Module w/CPU, 64MB RAM, Audio, SSD & LAN



## Features

- Transmeta TM5400 on board (500 MHz)
- 64MB SDRAM on board (optional 128MB)
- USB & AC'97
- Two RS-232, IDE, LPT, FDD

## System



CPU	Transmeta On-board Transmeta TM5400-500 processor
System Memory	64 MB SDRAM on-board (up to 128 MB)
BIOS	Award 2 Mbit Flash BIOS
SSD	Supports CompactFlash™ Card (SOM-2365N-LDB1)
Extending BUS I/F	144-pin SODIMM socket provides PCI
Battery	Lithium 3V/196 mAH

## Mechanical and Environmental

Dimensions(LxW)	68x100 mm(3.4"x3.9")
Power Supply Voltage	+5V+/-5%
Power Requirements	Max. : 5V@2A Typical : 5V@1A
Operating Temperature	0-60° C (32-140° F), fanless operation
Operating Humidity	0%-90% relative humidity, non-condensing

## I/O

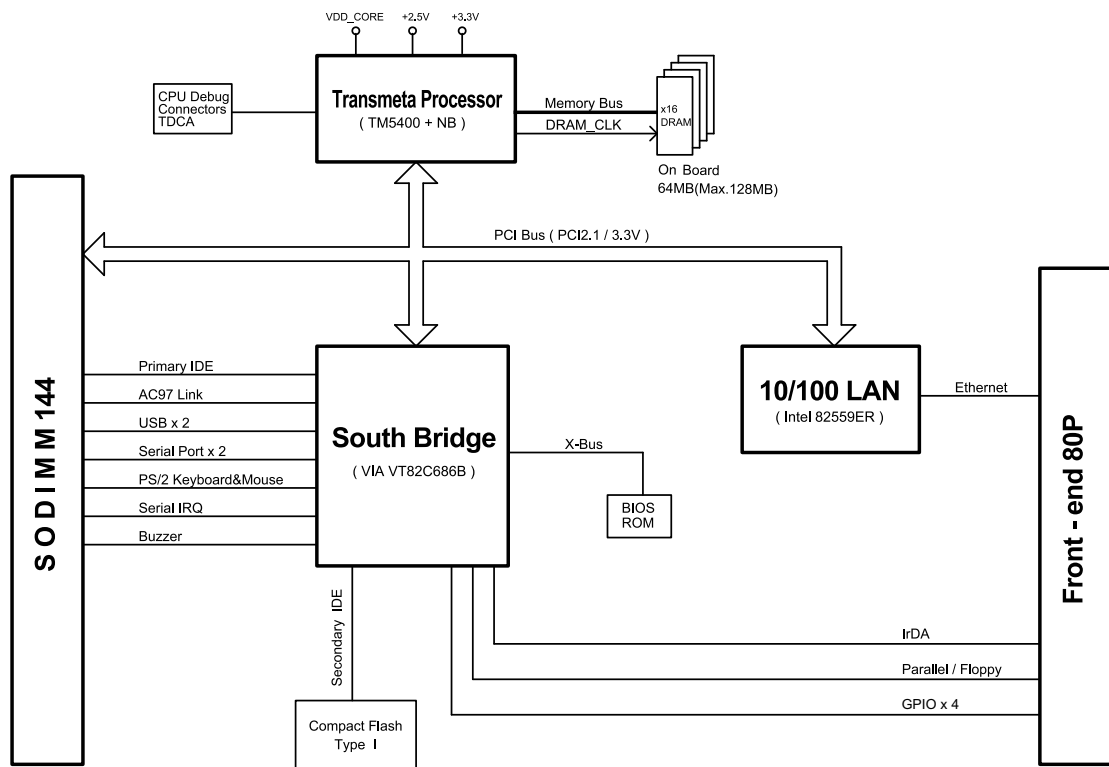
MIO	1 x EIDE, 1 x FDD/LPT, 1 x K/B, 1 x Mouse, 2 x RS-232
USB	2 USB ports, USB 1.1 compliant
IrDA	115 Kbps Serial infrared(SIR) port
Audio	AC'97

## Ethernet

Chipset	Intel® 82559ER
Ethernet Interface	IEEE 802.3u 100 BASE-T Fast Ethernet

# SOM-2365

## Board Diagram



## Ordering Information

SOM-2365N-LDB1	Transmeta SOM-144 Module w/TM5400-500 CPU, 64MB RAM, Audio, SSD & LAN
SOM-2365L-LDB1	Transmeta SOM-144 Module w/TM5400-500 CPU, 64MB RAM & Audio
SOM-DK2365N-C01	Windows® CE3.0 Development Kit for SOM-2365N
SOM-DK2365N-C02	Windows® CE.NET Development Kit for SOM-2365N
SOM-DB2300	SOM-144 Development Board

## System On Module

Note: All specifications are subject to change without notice.