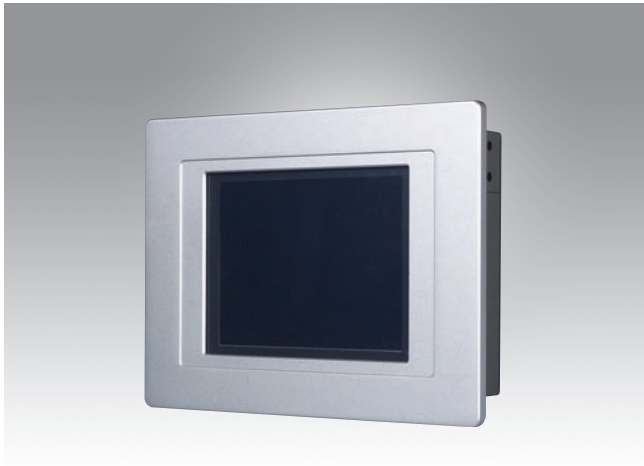


SPC-65A/65C

6.4" RISC based Panel PC



Features

- Marvell XScale® PXA270 CPU and Microsoft Windows® CE 5.0
- 6.4" color TFT LCD panel and resistive touchscreen
- Compact size with COM, USB, LAN, CF, and audio interfaces
- IP65 front bezel
- Bezel-mount model, front bezel is made from aluminum, ideal for outside-in mounting
- Adobe® Flash Player & Java Virtual Machine (JVM) as options

Introduction

The SPC-65A integrates the Marvell XScale PXA270 CPU and Windows CE 5.0. It is designed to provide customers with a low power, high performance embedded display platform with good networking and graphical performance. SPC-65A has a bright VGA (640 x 480) LCD screen and comes with an elegant front aluminum bezel for outside-in mounting. The SPC series supports the Adobe Flash Player and Java Virtual Machine (JVM) in the project base. Colorful GUIs are easy to develop using Adobe Flash and Java.

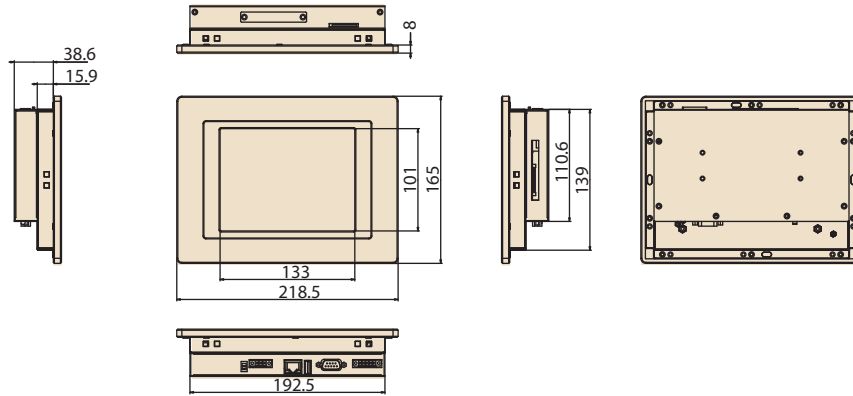
Specifications

System Kernel	CPU	Marvell PXA270 312 MHz (520 MHz as option)
	OS	WinCE 5.0 Professional English version
	SDRAM	64 MB
	Boot Flash	1 MB NOR flash for bootloader
	Storage Flash	128/256 MB for image and customer AP
	WDT	PXA270 Internal
	RTC	HT1381 backup by 65 mAh rechargeable coin battery
Display	LCD	6.4" Primeview 18-bit TFT 640 x 480
	Touchscreen	Resistive type
	Graphics Chip	PXA270 internal
I/O	COM	COM1: RS-232 by DB-9 conn. COM2: RS-485/232/422 by Phoenix conn. default is RS-485. (S/W configurable)
	Ethernet	1 x 10/100Base-T by RJ-45
	USB	1 x USB 1.1 host by type A conn.
	SD/MMC	1 x standard slot (support memory and I/O mode)
	CompactFlash	1 x Type II slot (support memory and I/O mode)
	Audio	Mic-in, Line-in, Line-out & Speaker-out by expansion conn.
	Expansion Conn.	50-pin box headers with: SMBus, Mic-in, line-in, line-out, 2-wire RS-232, 1 x USB 1.1 host, 4 x TTL-level DI, 4 x TTL-level DO
Power	DC Input	10 ~ 28 V DC with internal fuse protection via Phoenix conn.
	Power Switch	Slide type
	Power Consumption	6 W (normal mode w/o peripherals connected)
	Power Management	Supports normal mode and idle mode turns off the LCD power system
Mechanical	Material	Front bezel is aluminum, others are made from SPCC
	Mounting	Outside-in panel mount
Environmental	Operating Temperature	0 ~ 50° C (32 ~ 122° F)
	Storage Temperature	-20 ~ 60° C (-4 ~ 140° F)
	Water/Dust Resistance	IP65 front bezel
	Certifications	CE/FCC/UL
GUI Firmware		Adobe Flash Player 7.0 support (project base)
		Java Virtual Machine support (project base)

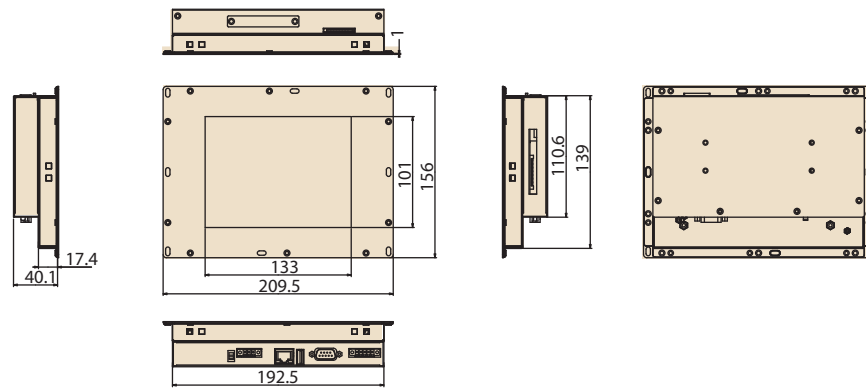
Dimensions

Unit: mm (inch)

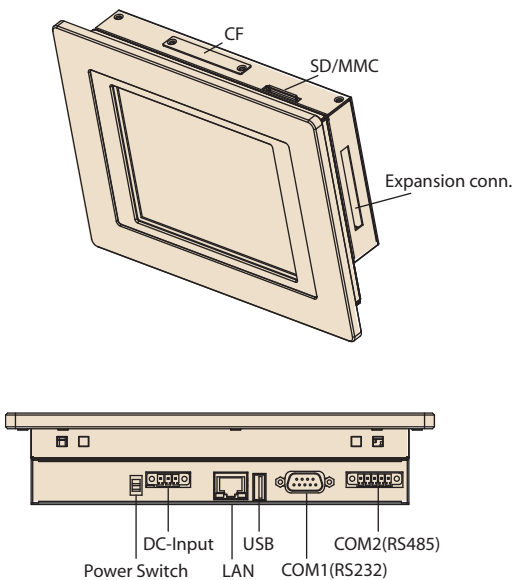
SPC-65A



SPC-65C



I/O Diagram



Ordering Information

Part Number	Description
SPC-65A-347CE1E	Marvell XScale PXA270 312 MHz CPU, Win CE 5.0 pre-installed with 6.4" color TFT LCD, resistive touchscreen and aluminum front bezel
SPC-65C-347CE1E	Same product specification as SPC65A, but without front bezel
SPC-POWERSET	60 W power adapter with 3-pin power connector (A power cord must be purchased separately)

Packing List

Description	Quantity
SPC-65A or SPC-65C	1
Windows CE 5.0 end user license agreement (Windows CE 5.0 version)	1
CD-ROM	
1) Readme.txt, User Manual, and Datasheet	1
2) Upgrade utility	
3) Windows CE platforms SDK (Windows CE 5.0)	
Warranty Card	1
3-pin power connector	1