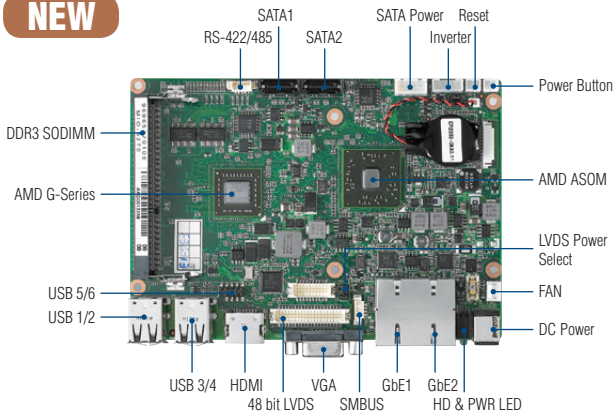


MIO-5270

AMD® G- Series 3.5" MI/O-Compact SBC, DDR3, HDMI, 48-bit LVDS, VGA, 2 GbE, CFast, iManager, MIOe

NEW



Features

- Embedded AMD® G- Series Single Core/ Dual Core processor + AMD A50M FCH, 1 x DDR3 memory support upto 4 GB
- DirectX® 11, 2D/3D Acceleration, multiple display: 48-bit LVDS, HDMI, VGA
- Flexible design using integrated multiple I/O:MIOe to approach vertical applications & keep domain knowhow.
- 2 GbE support, HD Audio, Rich I/O interface with 4 COM, 2 SATA, 6 USB and 8-bit GPIO
- Supports iManager, SUSIAccess and Embedded Software APIs

Software APIs:



Utilities:

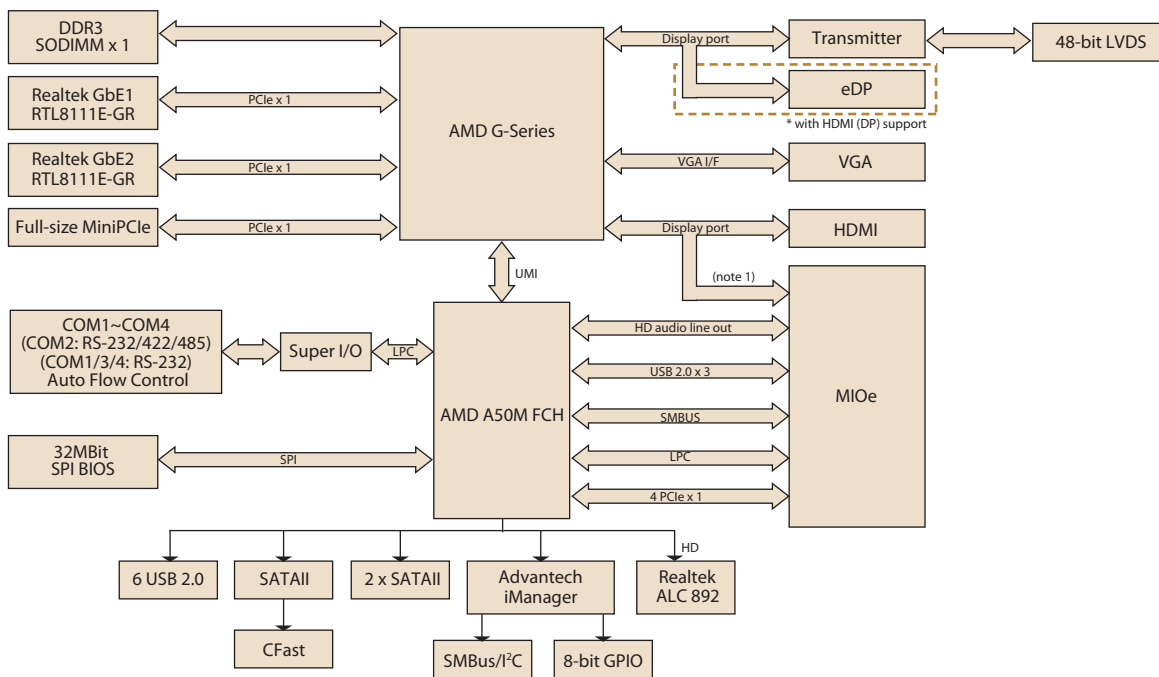


iManager susiAccess **CE FCC**

Specifications

Processor System	CPU	AMD G- Series, T40R 1.0GHz single core, T40E 1.0GHz dual core, T56N 1.65GHz dual core	
	Frequency	1.0GHz single/dual core, 1.65GHz dual core	
	L2 Cache	512 KB on T40R/ T40E, 1 MB on T56N	
	System Chipset	AMD G-Series + A50M FCH	
	BIOS	AMI EFI 32Mbit	
Memory	Technology	DDR3 1066 MHz, 1333MHz only for T56N	
	Max. Capacity	4 GB	
	Socket	1 x 204-pin SODIMM	
Display	Chipset	AMD G- Series	
	Graphic Engine	DirectX® 11 graphics with UVD 3.0 2D Acceleration, 3D Acceleration, Motion Video Acceleration, Supports DVD, Blu-ray™ Hardware decode (UVD 3):H.264, VC-1 & MPEG2	
	LVDS	LVDS: Supports single channel 24-bit or dual channel 48-bit LVDS	
	VGA	T56N up to 2560 x 1600, T40R & T40E up to 1920 x 1200	
	HDMI	Supports 1920 x 1080p at 60 Hz, 36 bpp, Supports HDMI v1.3, using TMDS data encoding	
	eDP	Option (supported by request) T56N up to 2560 x 1600, T40R & T40E up to 1920 x 1200	
Ethernet	Dual Display	Yes (VGA+LVDS or VGA + HDMI or HDMI + LVDS)	
	Speed	10/100/1000Mbps	
	Controller	GbE1: Realtek RTL8111E-VB-GR 10/100/1000Mbps, GbE2: Realtek RTL8111E-VB-GR 10/100/1000Mbps	
Audio	Connector	2 RJ45 on Rear I/O	
	Chipset	Realtek ALC892, High Definition Audio (HD), Line-in, Line out, Mic-in	
WatchDog Timer	Amplifier	Can be supported via MIOe	
		255 levels timer interval, programmable by software	
Storage	CFast	1	
	mSATA	(Supports either mSATA or full size miniPCIe, selected by BIOS, default support miniPCIe)	
	SATA	2 x SATA II (Max. Data Transfer Rate 300 MB/s)	
Rear I/O	Ethernet	2 (10/100/1000Mbps)	
	VGA	1	
	HDMI	1	
	USB	4 x USB 2.0	
	LED	Power, HDD	
	DC Jack	1 (Supported only on MIO-5270S-S0A1E & MIO-5270D-S0A1E)	
Internal I/O	USB	2 x USB 2.0	
	Serial	3 RS-232 from COM1/3/4, 1 RS-232/422/485 support auto flow control from COM2 (ESD protection for RS-232: Air gap ±15kV, Contact ±8kV)	
	I²C	1 (Shares with SMBus pin)	
	SMBus	1 (Shares with SMBus pin)	
	GPIO	8-bit general purpose input/output	
Expansion	Full-size MiniPCIe	1	
	MIOe	SMBus, 3 x USB2.0, LPC, 4 x PCIe, line out, 5 Vsb/12 Vsb power, ACPI S3/S5, Displayport (optional)	
Power	Power Type	Single 12V DC power input	
	Power Supply Voltage	Supports single 12V input, ± 10%	
	Power Consumption (Typical)	MIO-5270S-S0A1E:	0.59 A @ 12 V (7.08 W)
		MIO-5270D-S0A1E:	0.53 A @ 12 V (6.36 W)
		MIO-5270D-S6A1E:	0.65 A @ 12 V (7.8 W)
	Power Consumption (Max, test in HCT)	MIO-5270S-S0A1E:	0.8 A @ 12 V (9.6 W)
MIO-5270D-S0A1E:		0.82 A @ 12 V (9.84 W)	
Power Management	ACPI		
Battery	Lithium 3 V / 210 mAh		
Environment	Operational	0 ~ 60° C (32 ~ 140° F) (Operational humidity: 40° C @ 95% RH Non-Condensing)	
	Non-Operational	-40° C ~ 85° C and 60° C @ 95% RH Non-Condensing	
Physical Characteristics	Dimensions (L x W)	146 x 102 mm (5.7" x 4"), same as 3.5"	
	Weight	0.78 kg (1.72 lb), weight of total package	
	Total Height	34.5 mm	

Block Diagram



note 1: Supported by request

Ordering Information

Part No.	CPU	L2 Cache	Memory	LVDS	VGA & HDMI	GbE	Audio	RS-232/422/485	RS-232	USB 2.0	SATAII	CFast	Mini PCIe	MIOe	Power Connector	Thermal Solution	Operational Temp.
MIO-5270S-S0A1E	AMD T40R 1.0G SC	512 KB	SO-DIMM	48-bit	Yes	2	Yes	1	3	6	2	1	1	Yes	DC Jack	Passive	0 - 60° C
MIO-5270D-S0A1E	AMD T40E 1.0G DC	512 KB	SO-DIMM	48-bit	Yes	2	Yes	1	3	6	2	1	1	Yes	DC Jack	Passive	0 - 60° C
MIO-5270D-S6A1E	AMD T56N 1.65G DC	1 MB	SO-DIMM	48-bit	Yes	2	Yes	1	3	6	2	1	1	Yes	2x2 type	Active	0 - 60° C
MIO-5270DZ-2GS0A1E	AMD T40E 1.0G DC	512 KB	2GB bundle	48-bit	Yes	2	Yes	1	3	6	2	1	1	Yes	DC Jack	Passive	-20 - 80° C
MIO-5270DZ-2GS0A1E	AMD T40E 1.0G DC	512 KB	2GB bundle	48-bit	Yes	2	Yes	1	3	6	2	1	1	Yes	DC Jack	Passive	-40 - 85° C

Note: Passive = fanless; Active = with fan

Note: Wide temperature range version has been bundled with industrial-grade memory module.

Packing List

Part No.	Description	Quantity
	MIO-5270 SBC	
	Startup Manual	
	Utility CD	
1700006291	SATA1 cable 7P/ 7P 30cm C=R 180/90	1
1700018785	SATA Power Cable 35cm	1
1700019435	COM1 RS-485 D-SUB 9P (M)/1*5P 1.25 25cm cable	1
1701200220	COM RS232 Cable 2*10P-2.0/D-SUB 9P (M)*2 22CM	2
1700019584	Audio Cable 2*5P-2.0/ JACK*3 20cm	1
9689000002	mini Jumper pack	1
1960053507N001	Heatsink (137 x 84 x 25 mm) for T40R/ T40E series	
1960053508N001	Cooler (137 x 84 x 25 mm) for T56N series	

Optional Accessories

Part No.	Description
1960054266T001	Heat spreader for MIO-5270 (137 x 84.2 x 16.7mm)
1700006291	SATA2 cable 7P/ 7P 30cm C=R 180/90
1703100260	USB5/6 cable
1910002088	The Post Standoff, F= M3*6L, M=M3*5L, B=5, H=16 Ni
1757003082	Adaptor 100-240V 60W 12V 5A W/O PFC

Embedded OS/API

Embedded OS/API	Description
2070010844	XPE WES2009 MIO-5270 V4.0 24MUI
2070010845	WESTE SP1 MIO-5270 V5.1 ENG
Linux	Ubuntu 12.04
Software API	iManager 2.0

Rear I/O View



MIO-5270S-S0A1E
MIO-5270D-S0A1E



MIO-5270D-S6A1E