

ARK-1370

AMD® Geode™ LX800 Ultra-compact System



Features

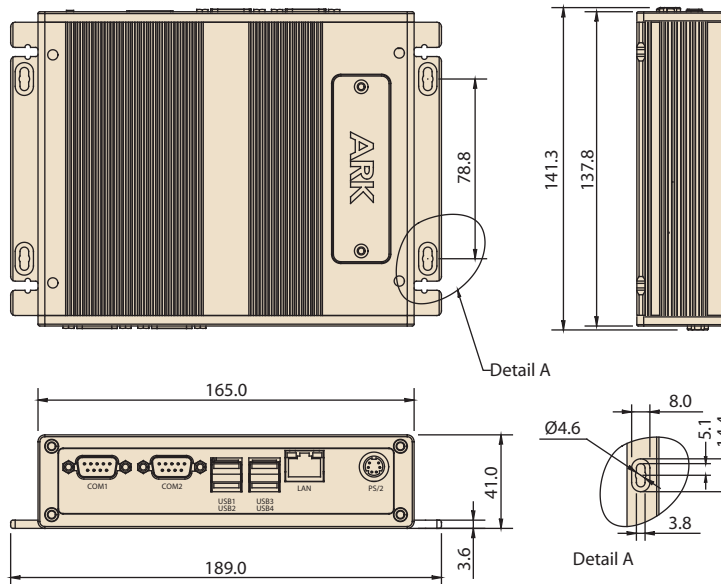
- Built-in AMD® Geode™ LX800, 500 MHz CPU
- Two RS-232/422/485 serial ports and four USB ports
- One PC Card slot for PCMCIA or Card Bus card
- Comprehensive display, communication and connectivity
- Ultra compact size, VESA mounted, robust construction with fanless operation
- Windows® CE .NET & Windows® XP Embedded ready solution

Specifications

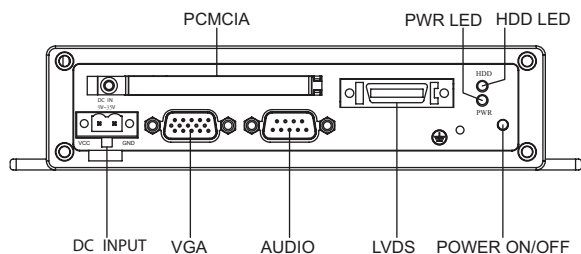
| | | |
|-------------------|--|--|
| Processor System | CPU | Embedded AMD Geode LX800-500 MHz |
| | System Chipset | AMD Geode CS5536 companion |
| | BIOS | Award 4-Mbit Flash BIOS |
| | System Memory | 1 x 200-pin SODIMM Socket supports DDR SDRAM up to 1 GB |
| Graphics | Chipset | Built-in AMD Geode LX800 processor |
| | Memory | Up to 64 MB frame buffer using system memory |
| | Interface | CRT interface Single-channel 18-bit LVDS interface |
| Ethernet | Controller | Intel 82551QM 10/100Base-T Ethernet controller |
| | Interface | 1 x RJ45 |
| Audio | Interface | 1 x D-sub 15-pin connector, Line-in, Line-out, Mic-in. |
| Others | Watchdog Timer | 255 level timer interval, setup by software |
| | Keyboard/Mouse | 1 x mini-DIN connector (1 x keyboard/mouse) |
| | Serial Ports | 2 x RS-232/422/485 ports by BIOS selectable |
| | Parallel Port | - |
| | USB 2.0 Ports | 4 |
| Expansion Slot | PCI | - |
| | Mini PCI | - |
| PC Card | Interface | 1 x built-in PC Card slot that supports CardBus (Card-32) and 16-bit (PCMCIA 2.1/JEIDA4.2) cards 5 V and 3.3 V working power |
| Storage Drive Bay | SSD | 1 x CompactFlash socket for Type I/II CompactFlash disk |
| Power | Power Consumption | Typical: 9.2 W |
| | Input Voltage | Supports 9 V _{DC} ~ 35 V _{DC} , ATX Max Power Input: 9 V _{DC} /3 A, 12 V _{DC} /2.4 A, 16 V _{DC} /1.75 A, 19 V _{DC} /1.5 A, 24 V _{DC} /1.2 A, 35 V _{DC} /0.8 A |
| Software Support | Windows XP Embedded, Windows CE .NET 6.0 | |
| Environment | Operating Temperature | With Industrial Grade Compact Flash Disk only: -40 to 60° C |
| | Relative Humidity | 95% @ 40° C |
| | Vibration During Operation | With CompactFlash disk: 5Grms, IEC 60068-2-64, random, 5 ~ 500 Hz, 1 Oct./min, 1hr/axis. |
| | Shock During Operation | With CompactFlash disk: 50Grms, IEC 60068-2-27, half sine, 11 ms duration |
| | Safety | CE, UL, CCC, BSMI |
| Mechanical | EMC | CE/FCC Class A, CCC, BSMI |
| | Construction | Aluminum housing |
| | Mounting | VESA mounting Din-Rail mounting Desk/Wall mounting |
| | Dimensions (W x H x D) | 189 x 41 x 137.8 mm (7.44" x 1.61" x 5.42") |
| | Weight | 1.15 kg (2.53 lb) |

Dimensions

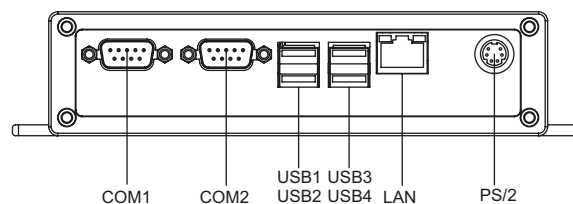
Unit: mm



Front Panel External I/O Mechanical Layout/Drawing



Rear Panel External I/O Mechanical Layout/Drawing



Ordering Information

| Part Number | Description |
|-----------------|---|
| ARK-1370-1J0A1E | AMD Geode LX processor 500 MHz, 2 x Serial ports, PCMCIA, 1 x LAN, 4 x USB 2.0, 1 x VGA, 1 x LVDS, Ultra Compact, Fanless Embedded Box Computer |
| ARK-1370-2J0A1E | ARK-1370-1J0A1E with 256 MB DDR SDRAM, 128 MB CompactFlash Disk, pre-installed Windows CE 6.0 Professional Plus and License |
| ARK-1370-3J0A1E | ARK-1370-1J0A1E with 512 MB DDR SDRAM, 1 GB Compact Flash Disk, pre-installed Windows XP Embedded FP2007 OS Image and License |

Packing List

| Part Number | Description |
|-------------|--|
| 2066137000 | 1 x Driver/Utility CD |
| 1700001394 | 1 x 2-Pole Phoenix to DC-Jack Power Cable |
| 1700006011 | 1 x DB-9 Male to Mic-In, Line-out, Line-in Audio Cable |

Optional Items

| Part Number | Description |
|--|---|
| 1757000222 | AC-to-DC Adapter DC19 V/3.42 A 65 W, with Phoenix Power Plug, 0 ~ 40° C for Home and Office Use |
| 1700001947 | Power Cable 2-pin 180 cm, USA type |
| 1700001948 | Power Cable 2-pin 180 cm, Europe Type |
| 1700001949 | Power Cable 2-pin 180 cm, UK Type |
| 1700002141 | Power Cable 2-pin PSE Mark 183 cm |
| 1997001110, 1997001120, 1997001130, 1997001140 | DIN-rail Mounting Kit |
| 1960008516 | VESA Mounting plate |
| 1700060202 | PS2 Keyboard/Mouse Cable |

Embedded OS (Only available for T-Parts OEM, and CTOS service)

| Part Number | Description |
|-------------|--|
| 2070003595 | XPE with Feature Pack 2007 OS Image and License for ARK-1370 V 3.01 English, Chinese-Traditional, Chinese-Simplified, Japanese |
| 2070003596 | XPE with Feature Pack 2007 OS Image and License for ARK-1370 V 3.01 English, French, German, Italian, Spanish |