

TPC-650H TPC-1250H TPC-1550H

5.7" VGA / 12.1" SVGA / 15" XGA TFT LCD
Intel® Atom™ Thin Client Computers



Features

- Intel® Atom™ N270 1.6 GHz processor
- 5.7" VGA / 12.1" SVGA / 15" XGA TFT LCD
- Fanless cooling system
- NEMA4/IP65 compliant front panel
- Supports Microsoft® Windows XP/XPe/CE
- Windows CE 5.0/6.0 with Java Script ready
- Supports Linux OS with Firefox and Java Script plugins
- Gigabit Ethernet supported
- Energy Star approval

Introduction

With a high quality TPC product line, TPC extends its Touch Panel Computer family with Intel® Atom™ platform for 5.7", 12.1" and 15". TPC thin client is designed with Intel® Atom™ 1.6 GHz processor as its core. The Intel Atom has low power consumption and 1.6 GHz operating frequency. This system is fanless, slim design for Web-based terminal solutions, so JavaScript is included in the Windows operating system. For Linux systems, we provide Mozilla Firefox.

Specifications

General

- **BIOS** Award® 4 MB
- **Certifications** BSMI, CCC, CE, FCC Class A, UL
- **Cooling System** Fanless design
- **Dimensions (W x H x D)**
 - TPC-650H: 195 x 148 x 58 mm (7.68" x 5.83" x 2.28")
 - 1250H: 311 x 237 x 54 mm (12.24" x 9.33" x 2.12")
 - 1550H: 383 x 307 x 58.1 mm (15.08" x 12.09" x 2.29")
- **Enclosure**
 - TPC-650H Front bezel: PC + ABS
 - 1250H / 1550H Front bezel: Die-cast Aluminum alloy
 - Back housing: SECC
- **Mounting** Desktop, Wall or Panel Mount
- **OS Support**
 - Windows XP/XPe
 - Windows CE 5.0/6.0 with Java Script
 - Linux with Firefox explorer and Java Script plugin
- **Power Consumption** 17 W / 35 W / 40 W (typical)
- **Power Input** 18 ~ 28 V_{DC}
- **Watchdog Timer** 1 ~ 255 sec (system)
- **Weight (Net)** 1.43 kg (3.15 lb) / 2.5 kg (5.51 lb) / 3 kg (5.51 lb)

System Hardware

- **CPU** Intel Atom N270 1.6 GHz
- **Chipset** Intel 945GSE+ICH7M
- **Memory** 1GB SO-DIMM DDR2 533 SDRAM
Up to 2GB (One channel)
- **LAN** 10/100/1000Base-T x 1
- **Storage** CompactFlash® slot x 1
- **I/O** RS-232 x 2 (COM1, 2)
USB 2.0 x 2 (Host)
PS/2 x 1

LCD Display

- **Display Type** VGA / SVGA / XGA TFT LED LCD
- **Display Size** 5.7" / 12.1" / 15"
- **Max. Resolution** 640 x 480 / 800 x 600 / 1024 x 768
- **Max. Colors** 262 K
- **Luminance cd/m²** 700 / 450 / 350
- **Viewing Angle (H/V°)** 160/140
- **Backlight Life** 50,000 hrs
- **Contrast Ratio** 700 : 1

Touchscreen

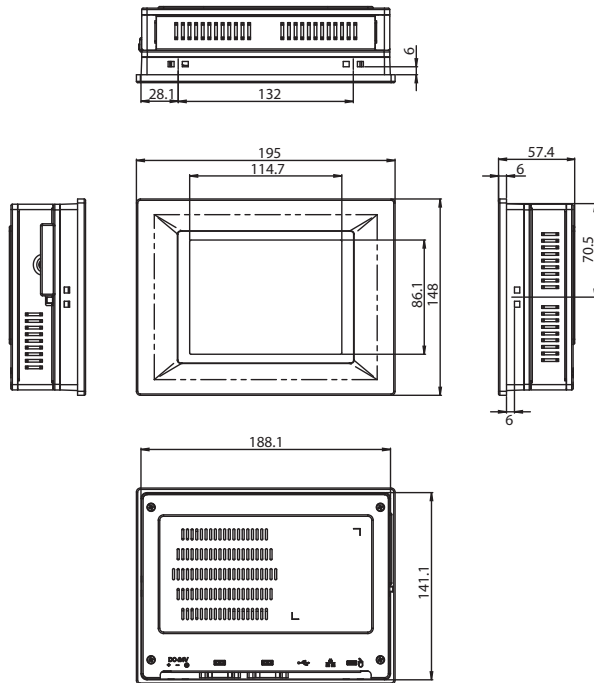
- **Lifespan** 10 million touches at single point
- **Light Transmission** Above 75%
- **Resolution** Linearity
- **Type** 5-wire, analog resistive

Environment

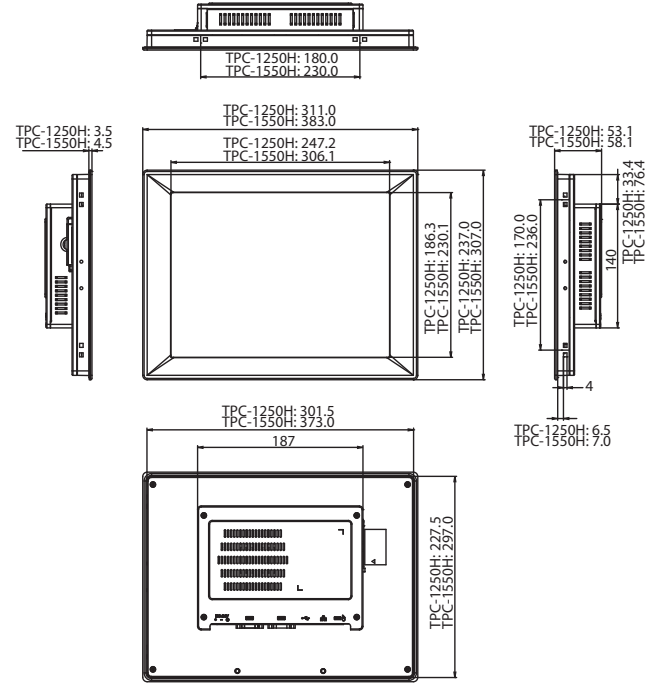
- **Humidity** 10 ~ 95% RH @ 40° C, non-condensing
- **Ingress Protection** Front panel: NEMA4, IP65
- **Operating Temperature** 0 ~ 45° C (32 ~ 113° F)
- **Storage Temperature** -20 ~ 60° C (-4 ~ 140° F)
- **Vibration Protection** 2 Grms (5 ~ 500 Hz)
(Operating, random vibration)

Dimensions

TPC-650H



TPC-1250H/1550H



Unit: mm

Panel Cut-out Dimensions: TPC-650H : 189.1 x 142.1 mm
 TPC-1250H: 302.5 x 228.5 mm
 TPC-1550H: 374.5 x 298.5 mm

Ordering Information

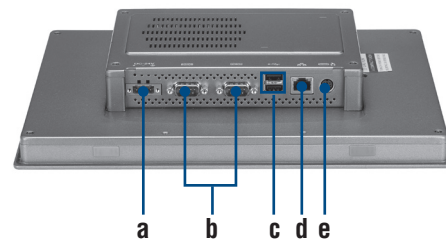
- **TPC-650H-N2AE** 5.7" VGA Touch Panel PC, Atom N270 1.6GHz, 1GB
- **TPC-1250H-N2AE** 12.1" SVGA Touch Panel PC, Atom N270 1.6GHz, 1GB
- **TPC-1550H-N2AE** 15" XGA Touch Panel PC, Atom N270 1.6GHz, 1GB

Accessories

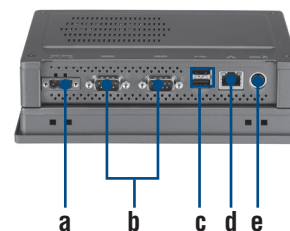
- **TPC-1570H-SMKE** TPC-1550H Desktop Stand
- **TPC-1250H-SMKE** TPC-1250H Desktop Stand
- **TPC-1570H-WMKE** TPC-1550H Wallmount Kit
- **TPC-1250H-WMKE** TPC-1250H Wallmount Kit
- **PWR-247-AE** 24 V 50 W AC-DC Power Adapter
- **1702002600** Power Cord 3P UL/CSA(USA) 125V 10A 1.83M

Rear View

TPC-1250H/1550H



TPC-650H



- a. Power Receptor
- b. COM (RS232 x 2)
- c. USB 2.0
- d. LAN (10/100/1000)
- e. PS/2