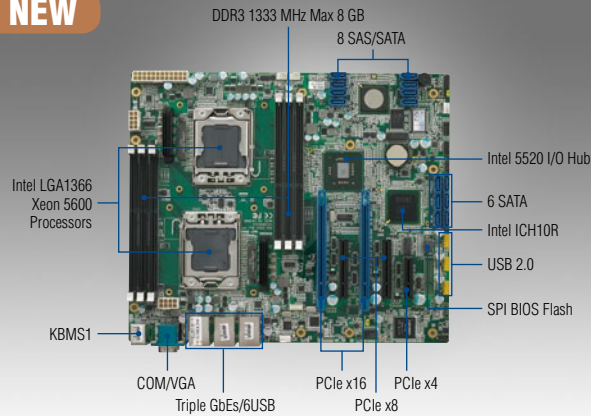


ASMB-310IR

Dual 1366 Socket CEB Server Board with 2 PCIe x16 Expansion Slots

NEW



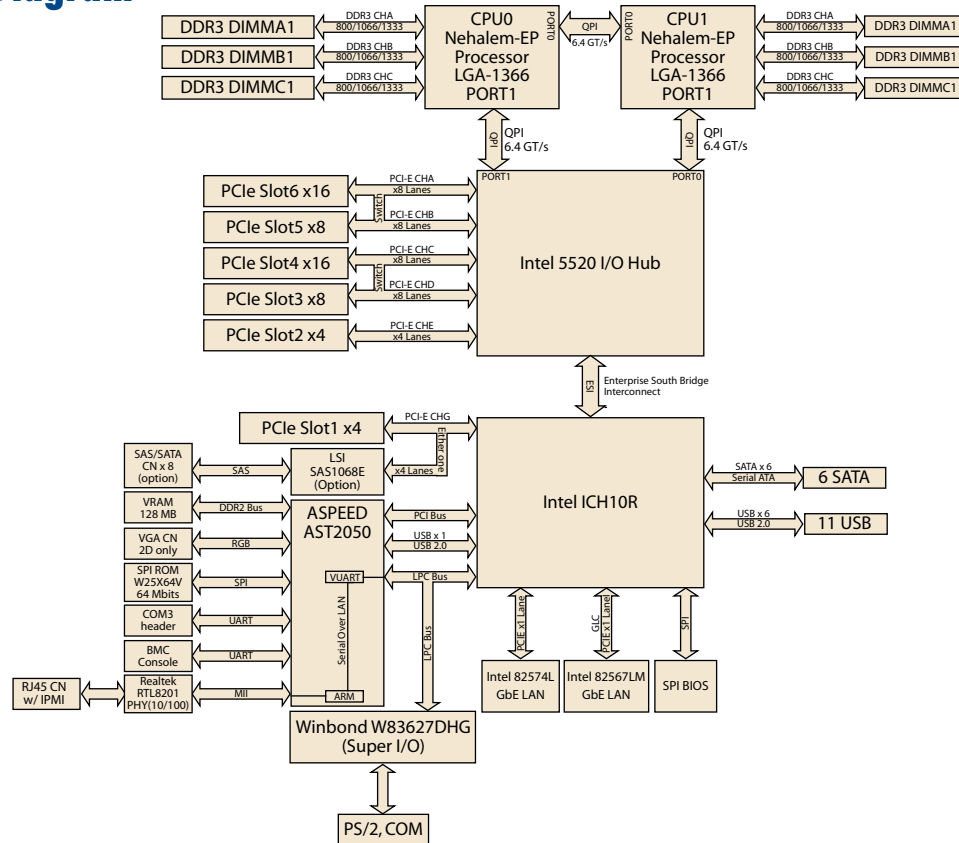
Features

- Supports dual Intel® processors 5500/5600
- Six ECC registered/unbuffered memory DIMMs, up to 24/48 GB capacity
- Supports 2 x PCIe x16 double-deck expansion cards
- CEB form factor fits into standard chassis
- 24/7 industrial server, ambient operation temp from 0 ~ 50° C

Specifications

Form Factor		CEB form factor	
Processor System	Socket	2 x socket 1366	
	CPU type	Intel Xeon 5600 series, Intel Xeon X5500 series (95 W), Intel Xeon E5500 series (80 W), Intel Xeon L5500 series (60 W/38 W)	
	Bus	QPI 4.8 / 5.86 / 6.4 GT/s	
Core Logic	Chipset	Intel 5520 chipset IOH, Intel ICH10R I/O controller	
Memory	Total slots	6 (3-channel per CPU, 3 DIMM per CPU)	
	Capacity	Maximum up to 48 GB (RDIMM), maximum up to 24 GB (UDIMM)	
	Memory type	DDR3 800/1066/1333 reg DIMM/unbuffered DIMM with ECC	
	Memory size	1 GB, 2 GB, 4 GB, 8 GB	
Expansion Slots (SSI location #)	Total PCI/PCI-X/PCIe slots	6	
	Slot location 1	1 x PCIe x4 (Gen1 X4 link) (This slot is not available in ASMB-310IR SKU)	
	Slot location 2	1 x PCIe x4 (Gen2 X4 link)	
	Slot location 3	1 x PCIe x8 (Gen2 X8 link)	
	Slot location 4	1 x PCIe x16 (Gen2 X16 link) (Auto switch to x8 link if slot 3 is occupied)	
	Slot location 5	1 x PCIe x8 (Gen2 X8 link)	
	Slot location 6	1 x PCIe x16 (Gen2 x16 link) (Auto switch to x8 link if slot 5 is occupied)	
Graphics	VGA	Aspeed AST2050 DDR2 512 Mbit (64 MB)	
	IDE controller	-	
Storage	SATA controller	Intel ICH10R: 6 SATA2 300 MB/s ports, Intel Matrix Storage (for Windows only) (Supports software RAID 0, 1, 10 & 5)	
	SAS controller	LSI 1068E SAS/SATA controller and supports firmware RAID 0, 1 (ASMB0-310IR SKU only)	
	GbE LAN	1 x Intel 82574L + 1 x Intel 82567LM + dedicated LAN port for remote management function (management LAN is available in ASMB-310IR SKU only)	
Onboard I/O Connectors	Floppy connector	-	
	PSU connector	24-pin SSI power connector + 8-pin SSI 12 V + 8-pin SSI 12 V power connector	
	USB connector	3 (supports 5 USB port)	
	Fan header	5 x 4pin	
	SMBus	-	
	Chassis intruder	1	
	Front LAN LED	2	
	Serial port header	1	
Rear I/O Connectors	External serial port	1	
	External USB port	6	
	VGA port	1	
	RJ-45	2	
	PS/2 KB/mouse	1	
	Infiniband	-	
Management Solution	Software	-	
	Out of band remote management	Yes (ASMB-310IR SKU only)	
Monitoring	CPU temperature	Yes	
	System Monitoring	Yes	
Environment	Operating	Non-operating	
	Temperature	0 ~ 50° C	-40 ~ 85° C
	Humidity	0% ~ 90%	5% ~ 95% (Non condensing)
Physical Characteristics	Dimensions	304.8 x 257.05 mm (12" x 10.12")	

Board Diagram



Ordering Information

Part Number	HDD	Expansion Slot	IPMI
ASMB-310-00A1E	6 SATA	4 x PCIe x8 (or 2 x PCIe x16), 2 x PCIe x4	-
ASMB-310IR-00A1E	6 SATA + 8 SAS/SATA	4 x PCIe x8 (or 2 x PCIe x16), 1 x PCIe x4	Yes

Packing List

Part Number	Description	Quantity
1700003194	SATA data cables	x 2
1960048321T000	I/O shield	x 1
2066310R00	Driver CD	x 1
2006310R10	Startup manual	x 1
1960048304N001	CPU Coolers (For 2U/4U system)	x 2

Bracket View



ASMB-310IR