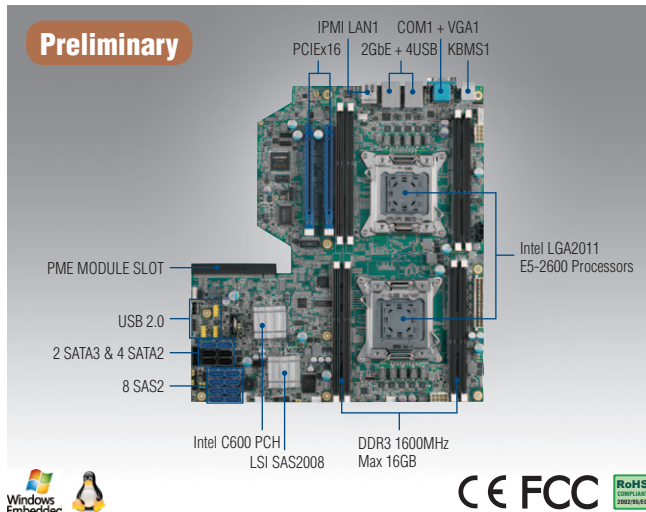


ASMB-920IR

Dual LGA 2011 Intel® Xeon® Extended ATX Server Board with 2 PCIe x16 + PME Expansion Slots



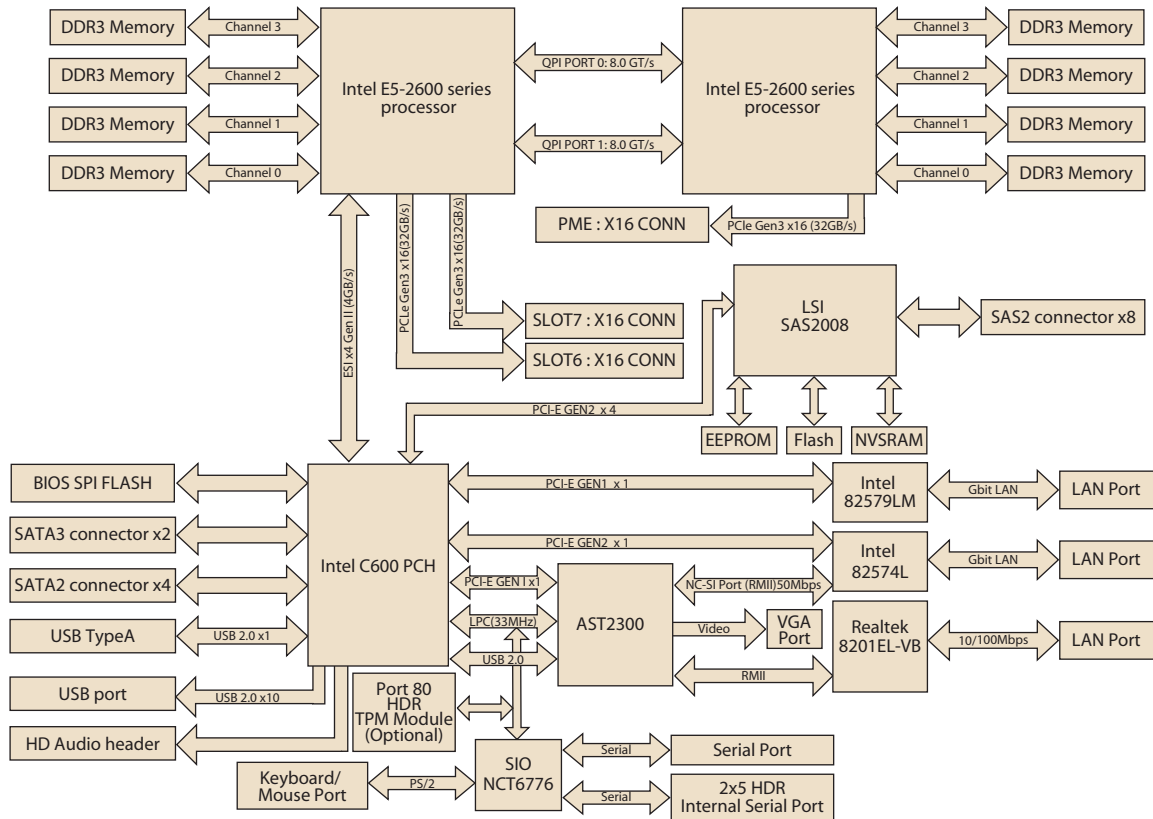
Features

- Supports Intel® Xeon® E5 series dual processor with C600 chipset
- Quad Channel DDR3 ECC/Non-ECC 1600/1333/1066 Registered DIMM, Max 128 GB
- Basic model supports 2 x PCIe x16 expansion slots
- Supports 8 x SAS Ports Support (ASMB-920IR SKU)
- Supports Advantech PME (Powerful Modular Expansion) for increased expansion flexibility

Specifications

| | | |
|--------------------------|-------------------------------|---|
| Form Factor | | Extended ATX form factor |
| Processor System | Socket | Intel LGA 2011 |
| | CPU type | Intel Xeon E5-2600 dual processor |
| Core Logic | Chipset | Intel C600 chipset |
| | Total slots | 8 (Quad Channel) |
| Memory | Capacity | Maximum 128 GB ECC RDIMM |
| | Memory type | DDR3 ECC-REG/ECC/Non-ECC 1600/1333/1066 MHz DIMM |
| | Memory size | 1 GB, 2 GB, 4 GB, 8 GB, 16 GB |
| Expansion Slots | Total PCI/PCI-X/PCIe slots | 3 |
| | Slot location 1 | - |
| | Slot location 2 | - |
| | Slot location 3 | Fit to PME daughter board* |
| | Slot location 4 | - |
| | Slot location 5 | - |
| | Slot location 6 | 1 x PCIe x16 |
| Graphics | VGA | Aspeed AST2300 64 MB |
| | IDE controller | - |
| Storage | SATA controller | Intel C600: 4 SATA2 3 Gb/s ports, 2 SATA3 6Gb/s Intel Matrix Storage (for Windows only) (Supports software RAID 0, 1, 10 & 5) |
| | SAS controller | LSI SAS2008 Controller |
| Networking | GbE LAN | 1 x Intel 82579LM + 1 x Intel 82574L |
| Onboard I/O Connectors | Floppy connector | - |
| | PSU connector | 24-pin SSI power connector + 8-pin SSI 12 V power connector + 8-pin SSI 12 V power connector |
| | USB connector | 3 (supports 6 USB port), 1* Type-A |
| | Fan header | 5 x 4pin |
| | SMBus | 1 |
| | Chassis intruder | 1 |
| | Front LAN LED | 2 |
| | Audio Header | 1 |
| | Serial port header | 1 |
| Rear I/O Connectors | External serial port | 1 |
| | External USB port | 4 |
| | VGA port | 1 |
| | RJ-45 | 3 (1 port dedicated for IPMI function) |
| | PS/2 KB/mouse | 1 |
| Management Solution | Software | - |
| | Out of band remote management | Yes |
| Monitoring | CPU temperature | Yes |
| | System Monitoring | Yes |
| Environment | Temperature | Operating 0 ~ 40° C, depends on CPU speed and cooler solution Non-operating -10 ~ 70° C |
| | Humidity | 0% ~ 90% 5% ~ 95% (Non condensing) |
| Physical Characteristics | Dimensions | 304.8 x 330.2 mm (12" x 13") |

Block Diagram



Ordering Information

| Part Number | Chipset | Memory | LAN | IPMI | SAS |
|------------------|---------|-----------------|-----|------|-----|
| ASMB-920-00A1E | C600 | DDR3 ECC/Un-ECC | 2 | - | - |
| ASMB-920IR-00A1E | C600 | DDR3 ECC/Un-ECC | 2 | Yes | Yes |

Packing List

| Part Number | Description | Quantity |
|----------------|-------------------|----------|
| 2062920I00 | Driver CD | x 1 |
| 2002920I10 | Startup manual | x 1 |
| 1700003194 | SATA data cables | x 2 |
| 1703150102 | SATA power cables | x 2 |
| 1960052312T000 | I/O shield | x 1 |

Bracket View



ASMB-920-00A1E
ASMB-920IR-00A1E

Optional Accessories

| Part Number | Description |
|------------------|---|
| ASMB-FF3PX-12A1E | PME expansion card with 2 PCI-X and 1 PCI slots |
| ASMB-FF20F-02A1E | PME expansion card with 2 PCIe x16 slots |