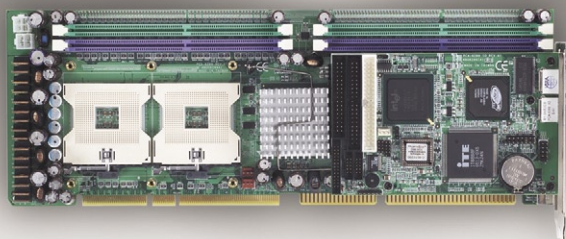


PCA-6289

Socket 604 Dual Xeon®/LV Xeon Processor Card with VGA/Dual GbE LAN

NEW



Features

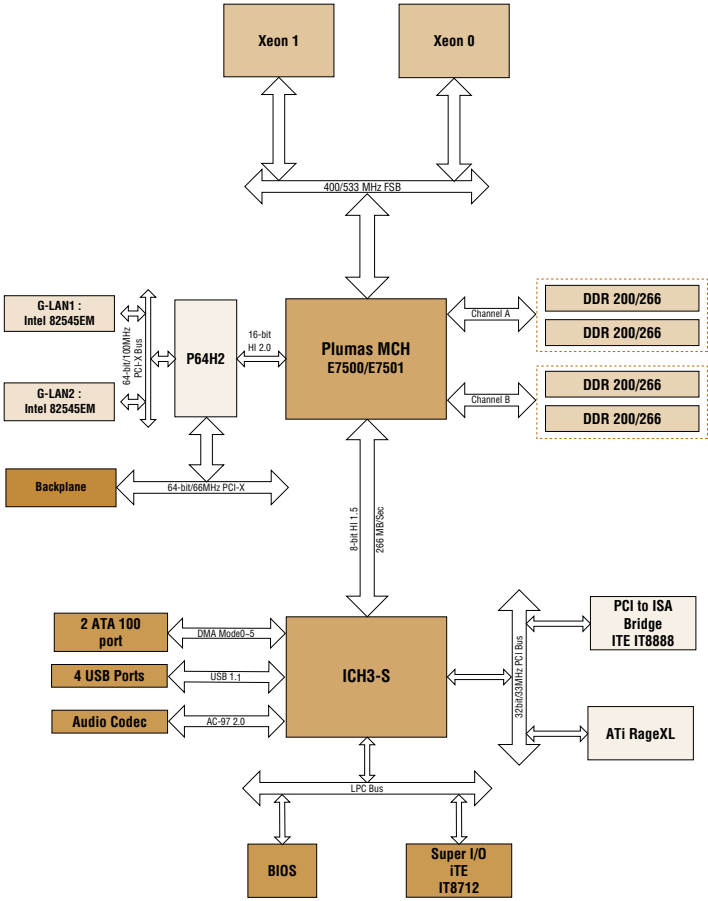
- Support single/dual socket 604 Intel® Xeon®/LV Xeon processors up to 3.2 GHz
- Dual Channel DDR 200/266 SDRAM up to 8 GB
- Intel E7501 chipset 400/533 MHz FSB
- Onboard ATI Rage XL with 8 MB frame buffer memory
- 64-bit, 66 MHz PCI-X
- Supports 10/100/1000Base-T Ethernet
- 4 USB 1.1 ports
- Low-profile customized CPU cooler included

CE FCC

Specifications

Processor System	CPU	Single/Dual Intel Xeon/LV Xeon processors Note: Always use the left CPU socket for single Xeon processor operation			
	Max. Speed	3.2 GHz			
	L2 Cache	512 KB			
	L3 Cache	2 MB			
	Chipset	Intel E7501 + ICH3-S + P64H2			
	BIOS	Award 8 Mbit FWH			
Bus	Front Side Bus	400/533 MHz			
	PCI	64 bit/66 MHz PCI-X			
Memory	ISA	HISA (ISA high drive)			
	Technology	Dual channel DDR 200/266 MHz (Registered/ECC DIMMs only)			
	Max. Capacity	8 GB			
Graphic	Socket	184-pin DIMM x 4			
	Controller	ATI Rage XL			
	VRAM	8 MB frame buffer memory			
Ethernet	Video Output	15 pin CRT connector x 1			
	Interface	10/100/1000 Base-T			
	Controller	Dual Intel 82545EM (Gigabit)			
EIDE	Connector	RJ45 with LED connector x 2			
	Mode	ATA 100/66/33			
I/O Interface	Channel	2 (Max. 4 devices)			
	USB	Max. 4 (USB 1.1 compliant), 2 ports on board			
	Serial	2 (RS-232)			
	Parallel	1 (EPP/ECP)			
	FDD	1			
Watchdog Timer	PS/2	1			
	Output	Interrupt, system reset			
Miscellaneous	Interval	Programmable 1, 2, 4, 8,...256 sec			
	Audio Output	AC-97 audio interface			
Power Requirement	Typical	Dual Xeon 3.06 G		Dual LV Xeon 2.4 G	
		+5 V	+12 V	+5 V	+12 V
		10 A	13.5 A	8.5 A	7.5 A
Environment		Operating		Non-Operating	
	Temperature	0 ~ 60 °C (32 ~ 140 °F), depends on CPU's speed		-20 ~ 80 °C (-40 ~ 176 °F)	
Physical Characteristics	Dimensions (W X D)	338 x 122 mm (13.3" x 4.8")			

Block Diagram



Ordering Information

Part Number	VGA (PCI)	Gigabit LAN
PCA-6289G2-00A1	Yes	Dual

Bracket View



PCA-6289G2-00A1

Packing List

Part Number	Description	Quantity
-	PCA-6289 Dual Xeon/LV Xeon processor-based single board computer	X 1
-	Dual CPU cooler set	X 1
-	PCA-6289 startup manual	X 1
-	CD with driver utility and manual (in PDF format)	X 1
-	FDD cable	X 1
-	Ultra ATA 33/66/100 HDD cables	X 2
-	Y cable for PS/2 mouse/keyboard	X 1
-	Printer/COM port cable kit	X 1
-	COM port cable kit	X 1
-	180 mm AUX power cable	X 2

Suggested System Configurations

System	Chassis	Backplane	Power Supply
2U	ACP-2000X3-00X	-	PS-400ATX-ZB
4U	ACP-4000BP-00X	PCA-6113P7X PCA-6114P12X-A1	PS-400ATX-ZB PS-500ATX-Z
5U	ACP-5260BP-46R	PCA-6115QP2X-A1 PCA-6119P16X	-
7U	ACP-7000BP-46R ACP-7000BP-57N ACP-7000BP-81N	PCA-6115QP2X-A1 PCA-6119P16X	-